

Ultra-Wideband Directional Antenna

617-6000 MHz, SISO, Low-PIM

ventev®

Connect, Protect, and Enable™

Ventev's low-PIM (-153 dBc) high gain directional antenna supports 617-6000 MHz (5G FR1) frequency range and is ideal for indoor and outdoor DAS, rural, and industrial applications in various use cases. Available in SISO and 2x2 MIMO options in N-type and 4.3-10 connectors, these antennas are suitable for in-building and outdoor networks operating in LTE, GSM, CDMA, PCS, 3G, 4G, and 5G. The rugged design of the antenna offers protection from sun, wind, rain, snow, and dust. The antenna comes with articulating bracket (Azimuth adjustment: $\pm 45^\circ$ and down-tilt adjustment: 0-20°) and can be mounted on a pole or wall.



Electrical Specifications

| Frequency Bands, MHz | 617-698 | 698-960 | 1710-2700 | 3300-4200 | 4900-6000 |
|---------------------------------|-----------------|-----------------|-----------------|-----------------|-----------------|
| Polarization | Vertical | | | | |
| Gain, dBi | 5.5 | 6.0 | 7.0 | 8.0 | 8.0 |
| Azimuth (HBW) | 80° | 85° | 70° | 75° | 50° |
| Elevation (VBW) | 70° | 75° | 60° | 80° | 35° |
| VSWR Return Loss, dB | 1.8 ≥ 11 | 1.8 ≥ 11 | 1.8 ≥ 11 | 1.8 ≥ 11 | 2.0 ≥ 10 |
| Front-to-Back Ratio, dB | 15 | 15 | 20 | 25 | 18 |
| PIM, IM3, 2x20 W (43 dBm), dBc | -153 | -153 | -153 | | |
| Max Input Power per Port, Watts | 50 | | | | |
| Impedance, Ohm | 50 | | | | |
| Lightning Protection | DC Ground | | | | |

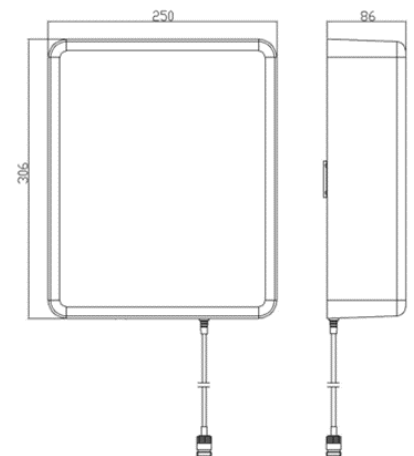
| Connector | SKU | MFG Part # |
|---------------|--------|---------------|
| N Female | 603040 | VN-VLHM6-XDNF |
| 4.3-10 Female | 603044 | VN-VLHM6-XD4F |

Features & Benefits

- High gain directional antenna supporting 617-6000 MHz
- Suitable for indoor/outdoor networks operating in LTE, GSM, CDMA, PCS, 3G, 4G, and 5G
- Ideal for in-building and outdoor DAS, rural, industrial, and donor antenna deployments
- Rugged construction provides protection from sun, wind, rain, snow, and dust

Mechanical Specifications

| | |
|------------------------|--|
| Dimensions (H x W x D) | 306 x 250 x 86 mm. (12 x 9.8 x 3.4 in.) |
| Input Connector | 1x N Female or 1x 4.3-10 Female; from bottom of antenna |
| Pigtail | 12 in. plenum rated, RG141 with FEP jacket |
| Mounting | Wall or pole mounted; articulating bracket included (Azimuth adjustment: $\pm 45^\circ$ and down-tilt adjustment: 0-20°) |
| Radome | White ABS, UL-94 compliant |
| Operating Temperature | -40° to +60°C (-40° to +140°F) |
| Relative Humidity | Up to 95% |
| Weight | 1.2 kg. (2.9 lbs.) |



Every Ventev antenna is RoHS compliant and covered by company's 2-year warranty program.

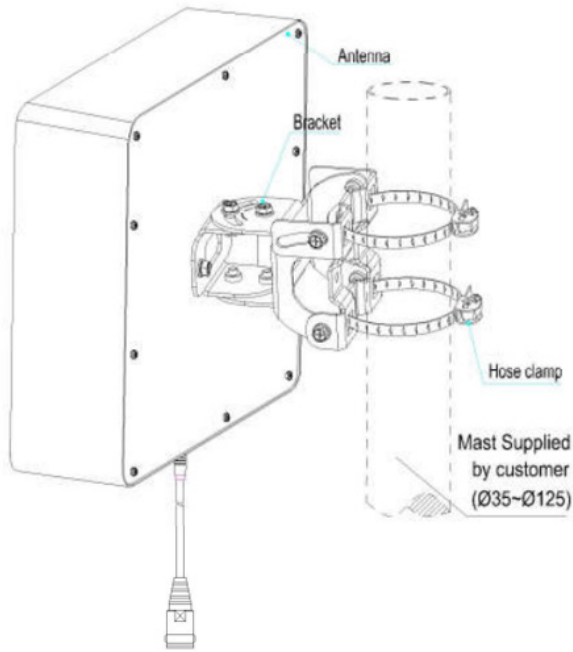
Ultra-Wideband Directional Antenna

617-6000 MHz, SISO, Low-PIM

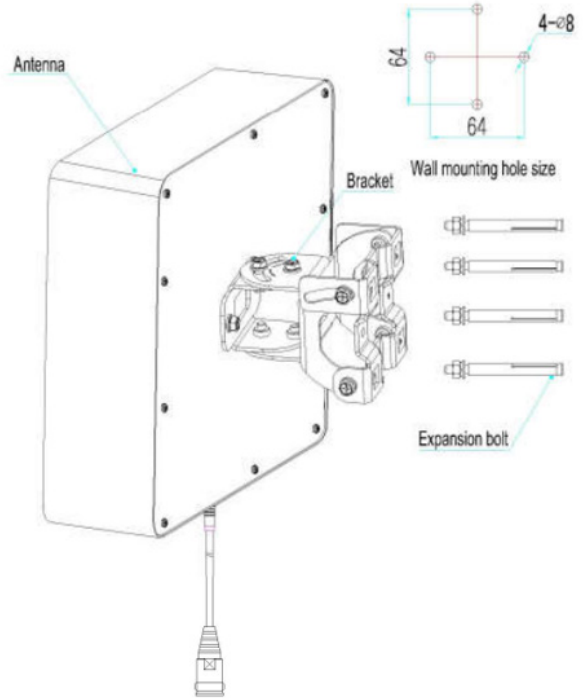
ventev®

Connect, Protect, and Enable™

Mast Installation



Wall Installation



Every Ventev antenna is RoHS compliant and covered by company's 2-year warranty program.