

Broadband Panel Antenna

350-2700 MHz, SISO

ventev®

Connect, Protect, and Enable™

Ventev's broadband panel antenna supports 350-2700 MHz and is ideal for networks operating in public safety (P25, TETRA, DMR), 3G/4G LTE, and other mission-critical applications. The high-quality design offers excellent gain and electrical specs in a compact form factor, only 10 x 10 in. The rugged construction protects against UV, wind, rain, dust, etc. At the same time, its aesthetic look makes it ideal for indoor deployment. The antenna comes with a wall and pole mountable articulating bracket that offers both azimuth (left-right) and down-tilt adjustments.



Electrical Specifications

Frequency Bands, MHz	350-520	600-960	1710-2700
Polarization		Vertical	
Gain, dBi	3	4	7
Azimuth (HBW)	110°	140°	40°
Elevation (VBW)	90°	110°	50°
VSWR	≥2.0	≥2.5	≥1.8
PIM, IM3, 2x20 W (43 dBm), dBc	≥140	≥140	≥140
Max Input Power per Port, Watts		50	
Impedance, Ohm		50	

Connector	SKU	MFG Part #
N Female	603625	VP-VULH347-XDNF

Features & Benefits

- Panel antenna supporting 350-2700 MHz
- Suitable for networks operating in the public safety (P25, TETRA, DMR), 3G/4G LTE and other mission critical applications
- Ideal for indoor and outdoor DAS, rural, industrial deployments
- Rugged construction provides protection from sun, wind, rain, snow, and dust
- Wall/pole mounted; articulating bracket included

Mechanical Specifications

Dimensions (H x W x D)	249 x 249 x 68 mm. (9.8 x 9.8 x 2.7 in.)
Input Connector	1x N Female from bottom of antenna
Pigtail	6 in. plenum rated, RG141 with FEP jacket
Mounting	Wall or pole (1.375-4.9 in. OD) mounted; articulating bracket included (Azimuth adjustment: ±45° and down-tilt adjustment: 0-20°)
Radome	White ABS, UL-94 compliant
Operating Temperature	-40° to +60°C (-40° to +140°F)
Relative Humidity	Up to 95%
Weight	1.1 kg. (2.5 lbs.) including bracket

Every Ventev antenna is RoHS compliant and covered by company's 2-year warranty program.

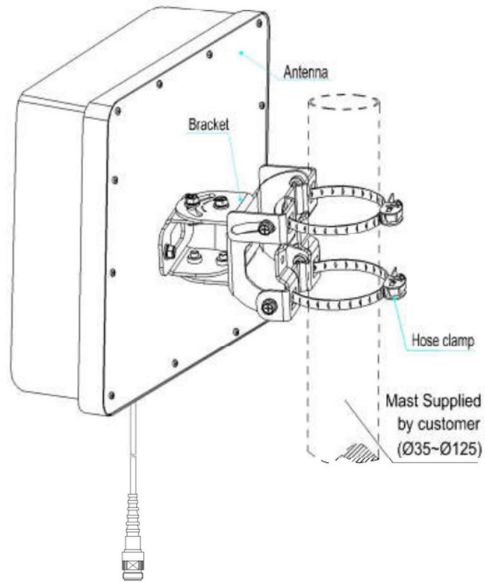
Broadband Panel Antenna

350-2700 MHz, SISO

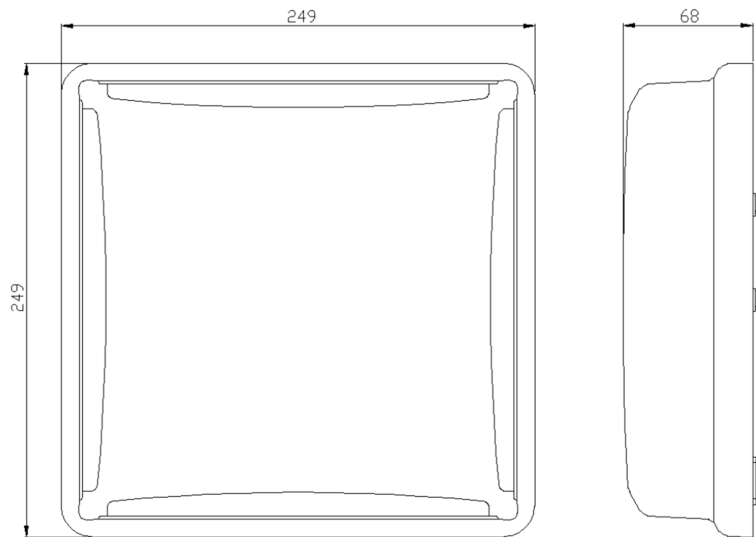
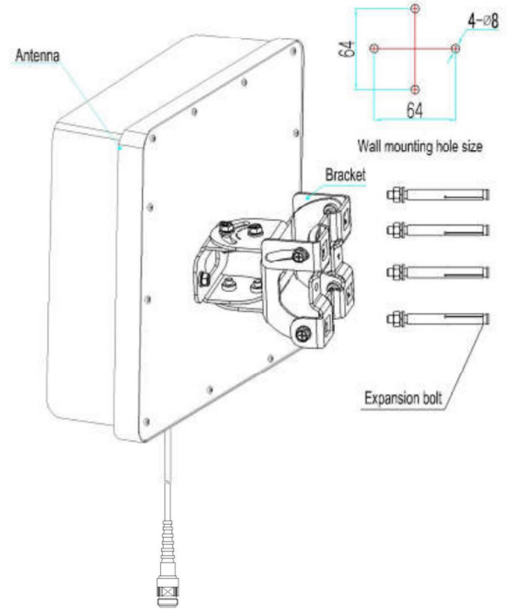


Connect, Protect, and Enable™

Mast Installation



Wall Installation



Every Ventev antenna is RoHS compliant and covered by company's 2-year warranty program.