

2.4/5/6 GHz 6 dBi Omnidirectional Wi-Fi Antenna

with 4 RPTNC Male Connectors

ventev®

Connect, Protect, and Enable™

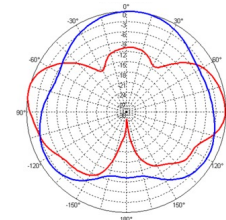
Ventev's 2.4/5/6 GHz 6 dBi Omnidirectional Wi-Fi antenna is designed to operate with Wi-Fi 5, 6, and 6E access points. The antenna's materials and construction make it perfectly suited for warehouse, manufacturing, and outdoor environments.

Specifications

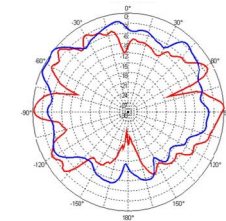
SKU	607917
Model Number	M706006001D43602E
Operating Frequency Range	2.4/5/6 GHz
Gain	6 dBi
Polarization	Vertical
Vertical Beamwidth	45°/20°/20°
Horizontal Beamwidth	360°
VSWR	$\leq 2.0 / \leq 2.2$
Nominal Impedance	50 Ohms
Max Input Power	10 W
Number of Ports	4
Length of Lead	36 in.
RF Connector	RPTNC Male
Operating Temperature	-40 to 158°F
Dimensions	5.9 x 7 in.
Weight	3.60 lbs.
Radome Color	White
Wind Load	134 mph



Radiation Patterns



2.4 GHz
H Plane
E Plane



5/6 GHz
H Plane
E Plane

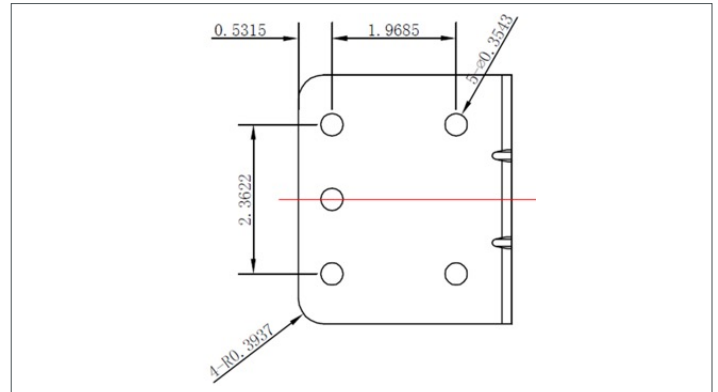
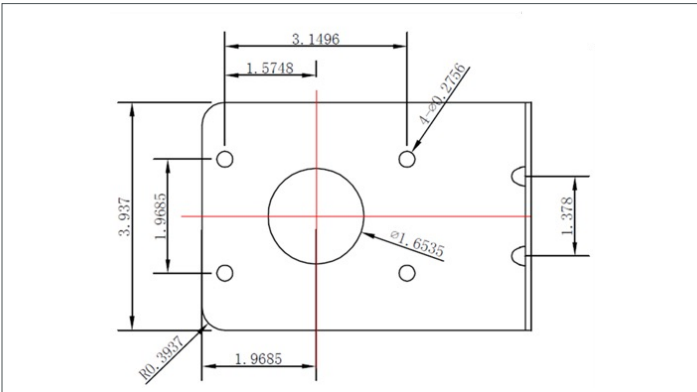
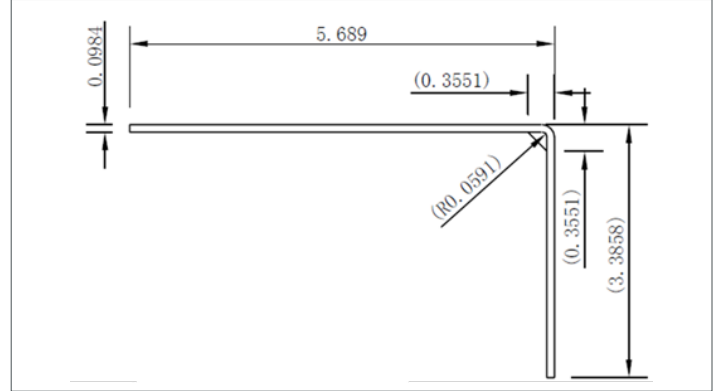
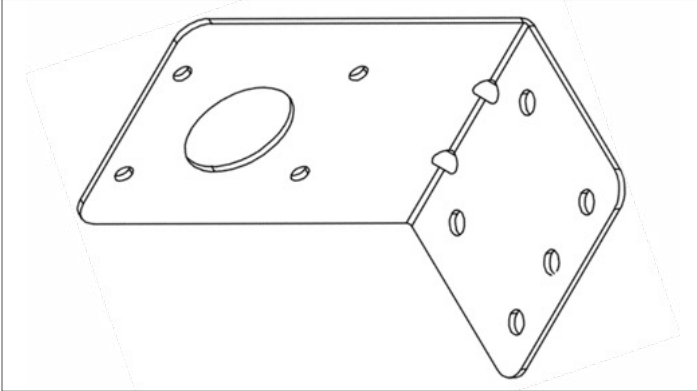


All product specifications are subject to change without notice or obligation.

2.4/5/6 GHz 6 dBi Omnidirectional Wi-Fi Antenna

with 4 RPTNC Male Connectors

Mounting Options



Mount Specifications

Model	NA (Mount Not Sold Separately)
Dimensions	See Diagrams Above.*
Weight	1 lb.
Material	Stainless Steel
Maximum Weight Tolerance	25 lbs.
Mounting Style	Mast or Pole
Maximum Mast Diameter	.37 -1.97 in.
Mounting Hardware Included	L-Bracket, 2x U-Bolts, 2x Nuts, 2x Flat Washers, 2x Lock Washers**

*NOTE: All drawing dimensions in inches.

**NOTE: AL-bracket can be surface-mounted using separately purchased mounting hardware.



All product specifications are subject to change without notice or obligation.