

# TerraWave® 2.4/5/6 GHz 6/6/6 dBi Directional Antenna

Ventev's TerraWave® 2.4/5/6 GHz 6 dBi Wi-Fi Micro Patch Antenna delivers outstanding Wi-Fi performance in a very small package and is ideal for space constrained environments or environments that place a premium on aesthetics. The versatile micro patch antenna is for use indoors or outdoors and is primarily designed for use with any manufacturer's WiFi 6e/7 access points. It can be mounted on walls or ceiling tiles, and on poles and masts using the Ventev Medium Strength Universal Mount (included). The antenna is IP54 compliant to ensure outstanding outdoor performance under harsh environmental conditions.

## Available Models

Description	MFG Part #	SKU
RPSMA Male	M7060060MP1D43620	610822
N-Male	M7060060MP1D43607MP	612069

## Specifications

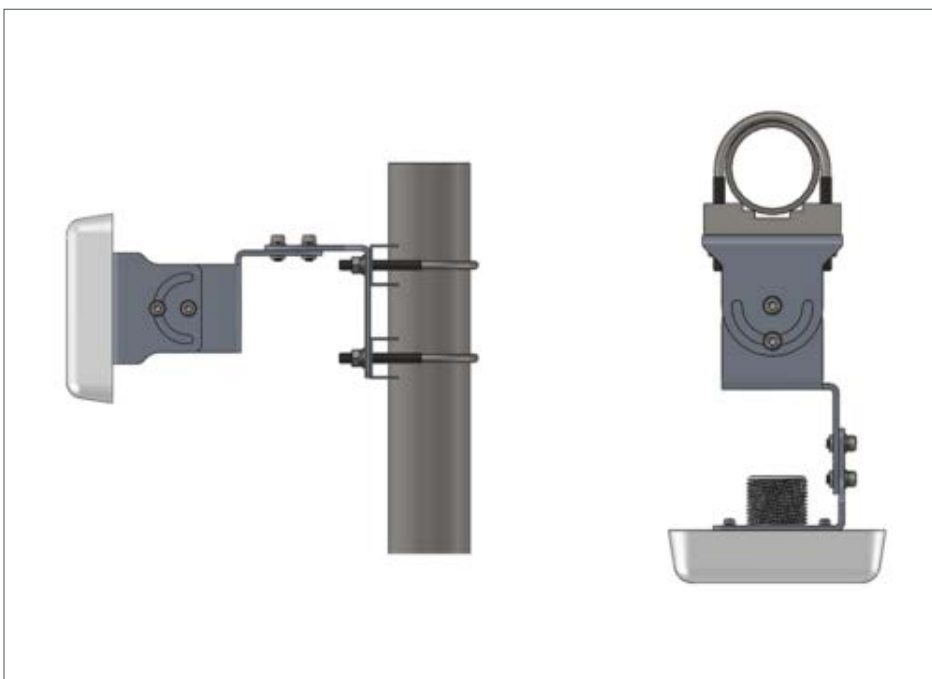
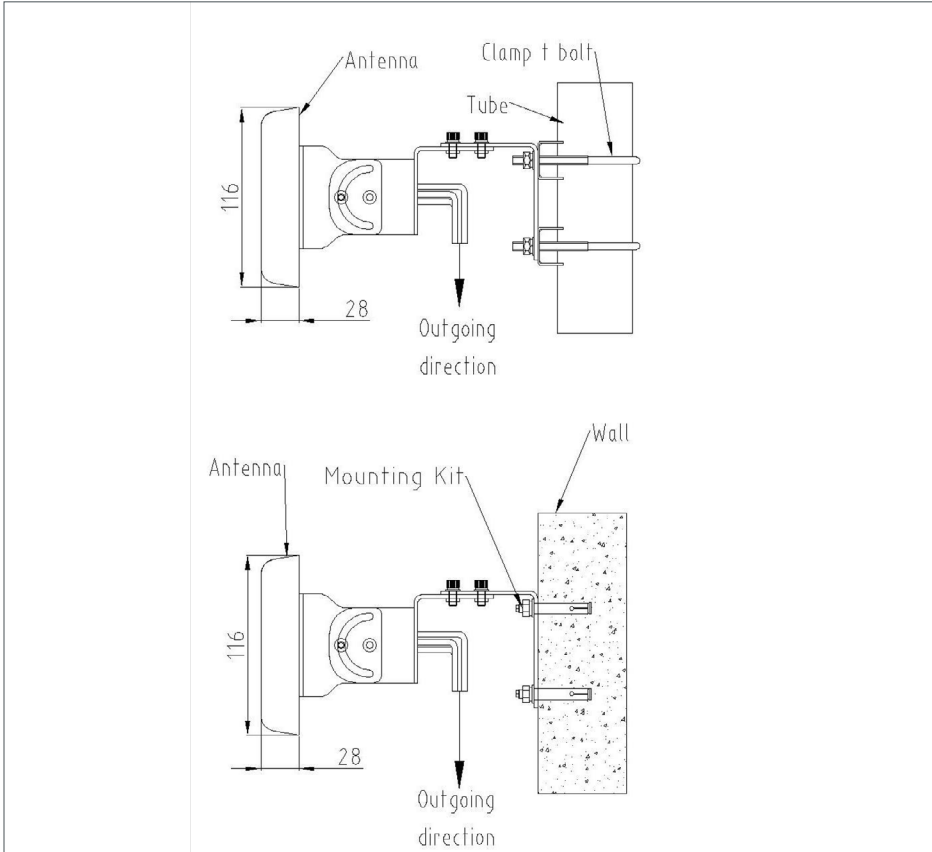
Operating Frequency Range	2.4/5/6 GHz
Polarization	Vertical/Horizontal
Horizontal Beamwidth	80°
Vertical Beamwidth	60°/80°/90°
Gain	6 dBi
VSWR	≤ 2.0
Max Input Power	50 W
Nominal Impedance	50 Ohms
Number of Ports	4
Length of Lead	36.22 ± 0.39 in.
RF Connector	RPSMA Male/N-Male
Operating Temperature	-40° to 158°F
Dimensions	4.57 x 4.57 x 1.10 in. (±0.08)
Weight	0.82/0.66 lbs.
Mounting Options	Wall or Mast
Radome	White PC
Bracket Material	Aluminum/Sandblasting Oxidation



All product specifications are subject to change without notice or obligation.

# TerraWave® 2.4/5/6 GHz 6/6/6 dBi Directional Antenna

## Antenna & Mount Information



All product specifications are  
subject to change without notice  
or obligation.