

Interchangeable Ceiling Tile Enclosures

for Cisco 9120

Ceiling Tile Enclosure

SKU	611141
Manufacturer Part Number	V3-ID-CTEN-9120
Dimensions	23.75 x 23.75 x 4 in.
Weight	4.5 lbs.
Material	Aluminum
Mounting Options	Ceiling Tile



Hard-Lid Ceiling Tile Enclosure

SKU	611146
Manufacturer Part Number	V2-ID-HCEN-9120
Dimensions	18 x 18 x 2.5 in.
Weight	3.5 lbs.
Material	Aluminum
Mounting Options	Hard-Lid or Wall



Replacement Door

SKU	611131
Manufacturer Part Number	V3-IDOOR-9120
Dimensions	12 x 12 x 2 in.
Weight	1.5 lbs.
Material	Aluminum



NOTE: Models and components continue on next page.



All product specifications are subject to change without notice or obligation.

Interchangeable Ceiling Tile Enclosures

for Cisco 9120

ventev®

Connect, Protect, and Enable™

Ceiling Tile Bracket

SKU	611115
Manufacturer Part Number	CT-BKT2-9120
Dimensions	23.75 x 11.5 x 2.96 in.
Weight	1 lbs.
Material	Aluminum
Mounting Options	Ceiling Tile



Right Angle Bracket

SKU	611120
Manufacturer Part Number	HWM-9120
Dimensions	13 x 12 x 4 in.
Weight	1.5 lbs.
Material	Aluminum
Mounting Options	Wall

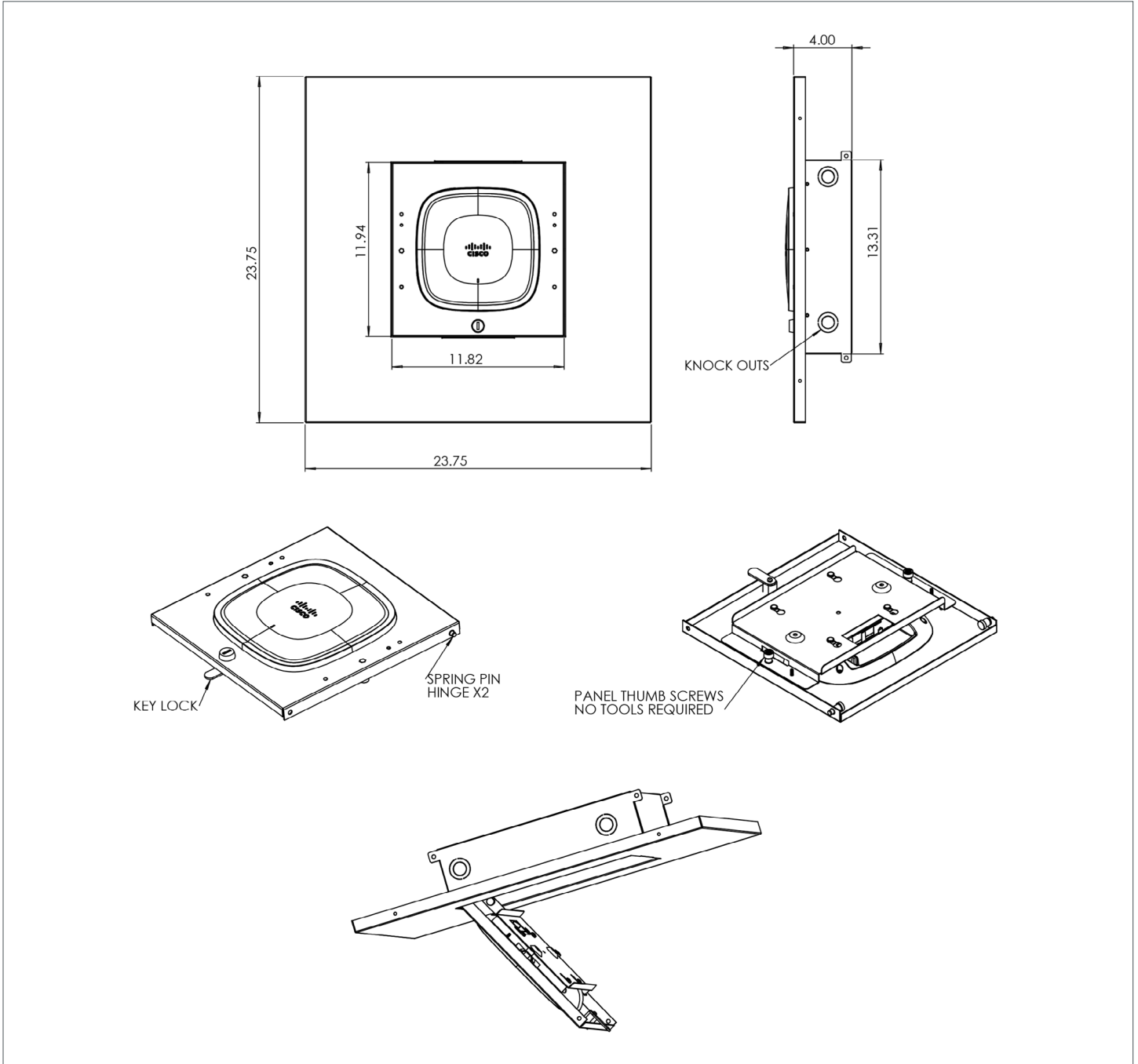


All product specifications are subject to change without notice or obligation.

Interchangeable Ceiling Tile Enclosures

for Cisco 9120

Ceiling Tile Enclosure

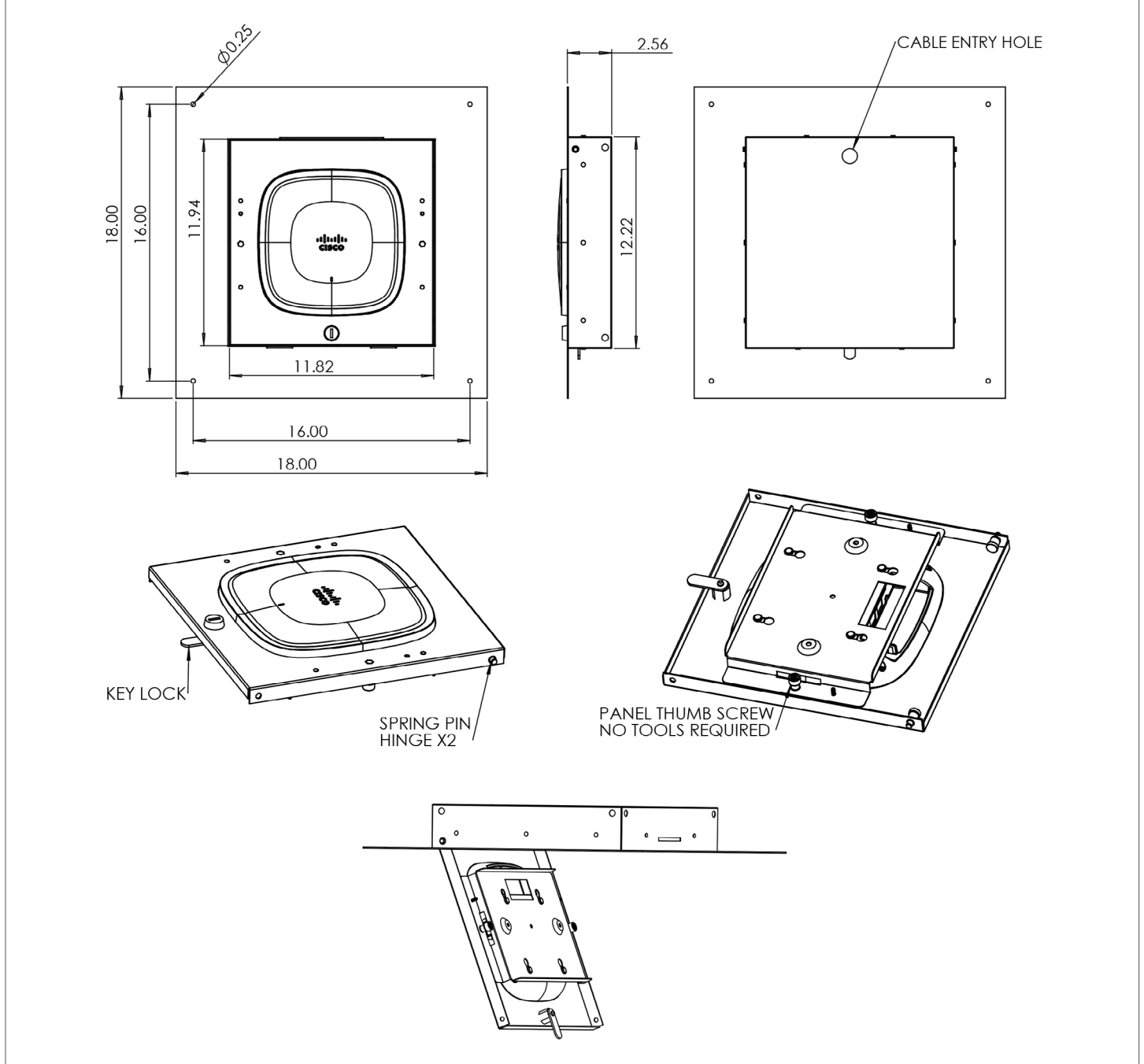


All product specifications are subject to change without notice or obligation.

Interchangeable Ceiling Tile Enclosures

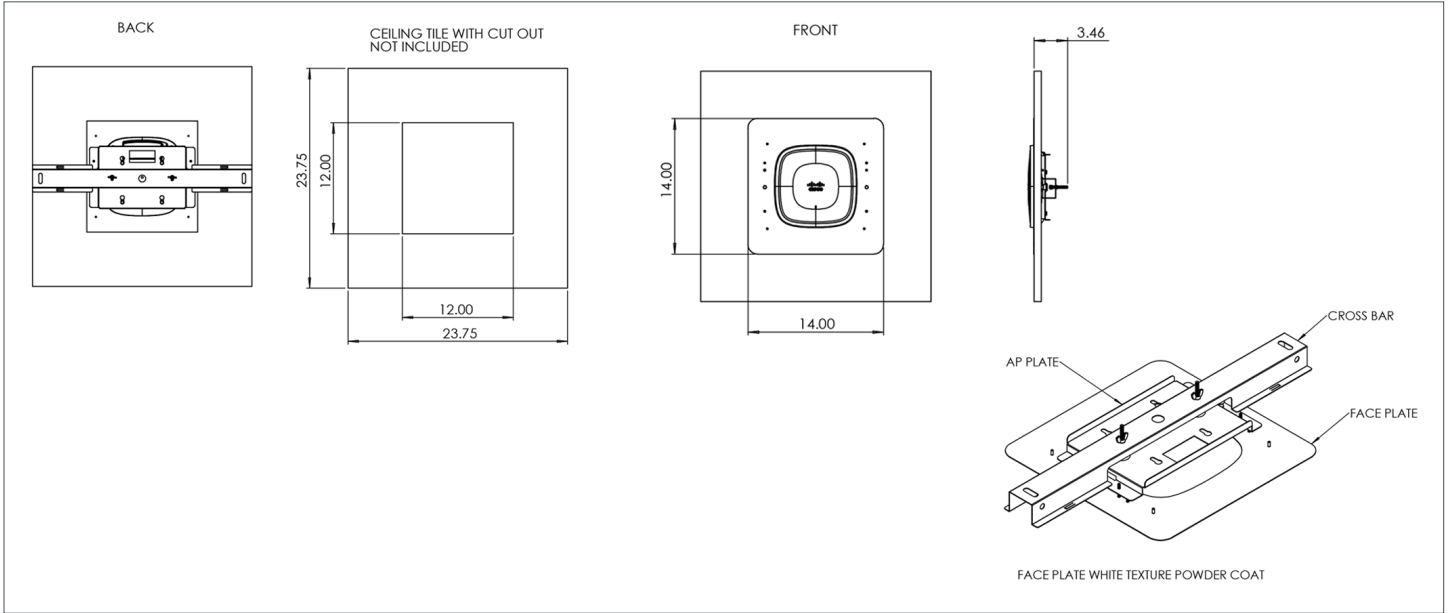
for Cisco 9120

Hard-Lid Ceiling Tile Enclosure

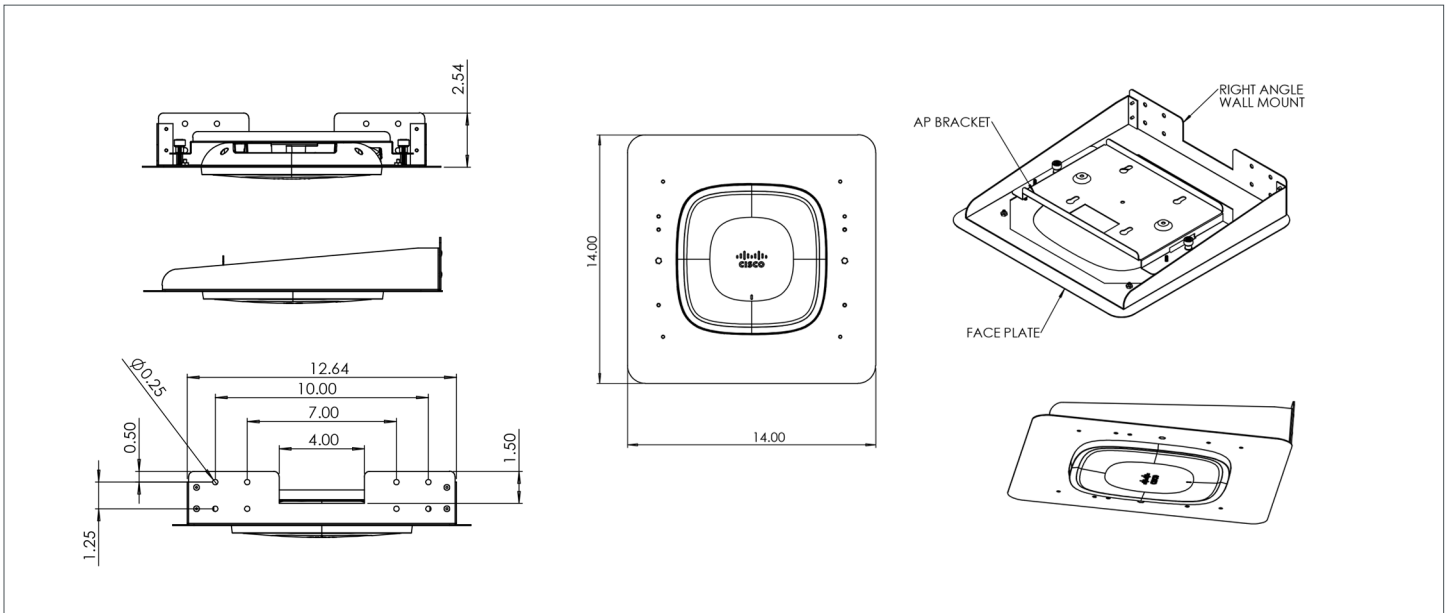


All product specifications are subject to change without notice or obligation.

Ceiling Tile Bracket



Right Angle Bracket



All product specifications are subject to change without notice or obligation.