

Interchangeable Ceiling Tile Enclosures

for Cisco 9136

ventev®

Connect, Protect, and Enable™

Ceiling Tile Enclosure

SKU	611143
Manufacturer Part Number	V3-ID-CTEN-9136
Dimensions	23.75 x 23.75 x 4 in.
Weight	4.5 lbs.
Material	Aluminum
Mounting Options	Ceiling Tile



Hard-Lid Ceiling Tile Enclosure

SKU	611148
Manufacturer Part Number	V2-ID-HCEN-9136
Dimensions	18 x 18 x 2.5 in.
Weight	3.5 lbs.
Material	Aluminum
Mounting Options	Hard-Lid or Wall



Replacement Door

SKU	611133
Manufacturer Part Number	V3-IDOOR-9136
Dimensions	12 x 12 x 2 in.
Weight	1.5 lbs.
Material	Aluminum



NOTE: Models and components continue on next page.



All product specifications are subject to change without notice or obligation.

Interchangeable Ceiling Tile Enclosures

for Cisco 9136

ventev®

Connect, Protect, and Enable™

Ceiling Tile Bracket

SKU	611117
Manufacturer Part Number	CT-BKT2-9136
Dimensions	23.75 x 11.5 x 2.96 in.
Weight	1 lbs.
Material	Aluminum
Mounting Options	Ceiling Tile



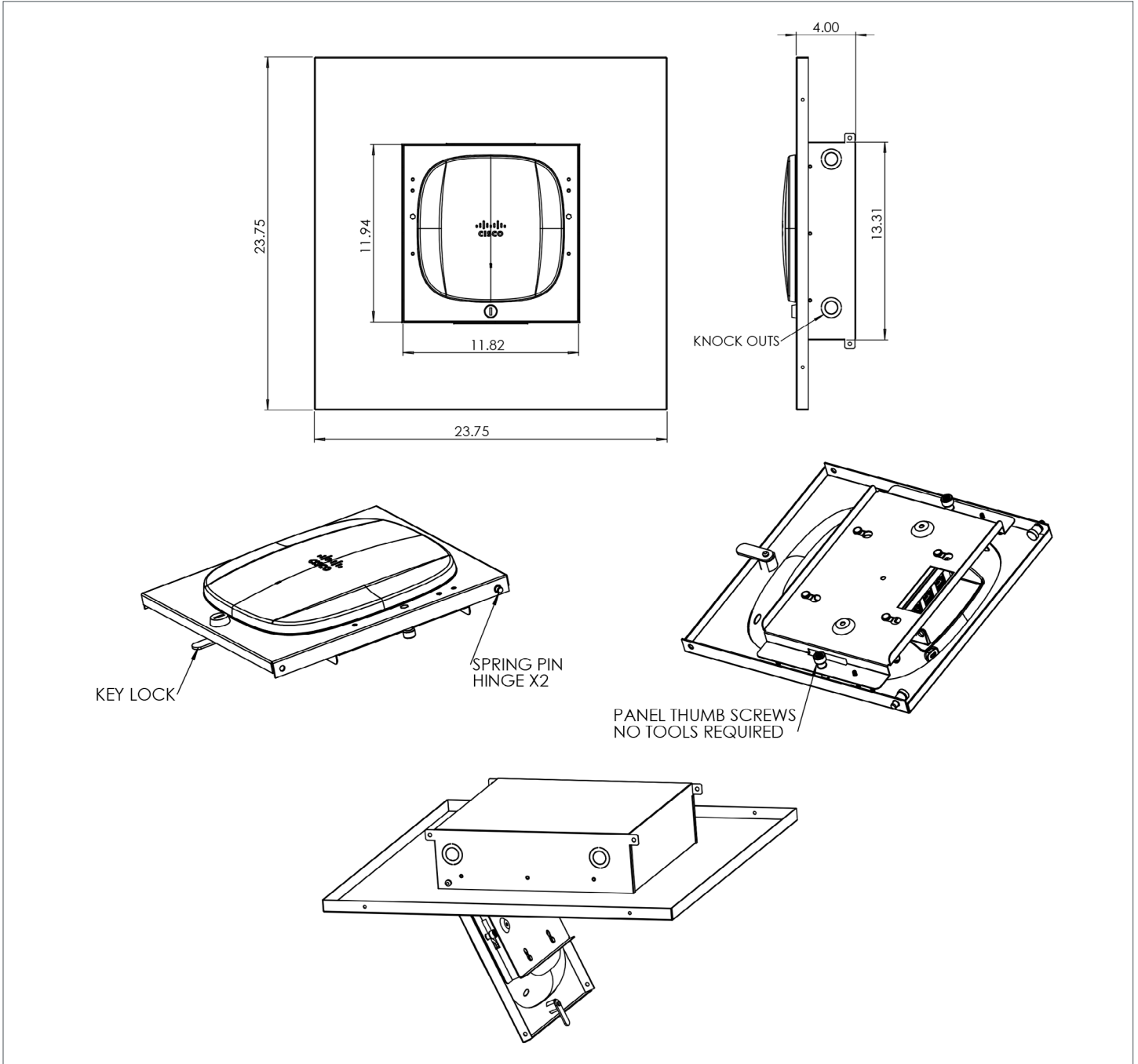
Right Angle Bracket

SKU	611122
Manufacturer Part Number	HWM-9136
Dimensions	13 x 12 x 4 in.
Weight	1.5 lbs.
Material	Aluminum
Mounting Options	Wall



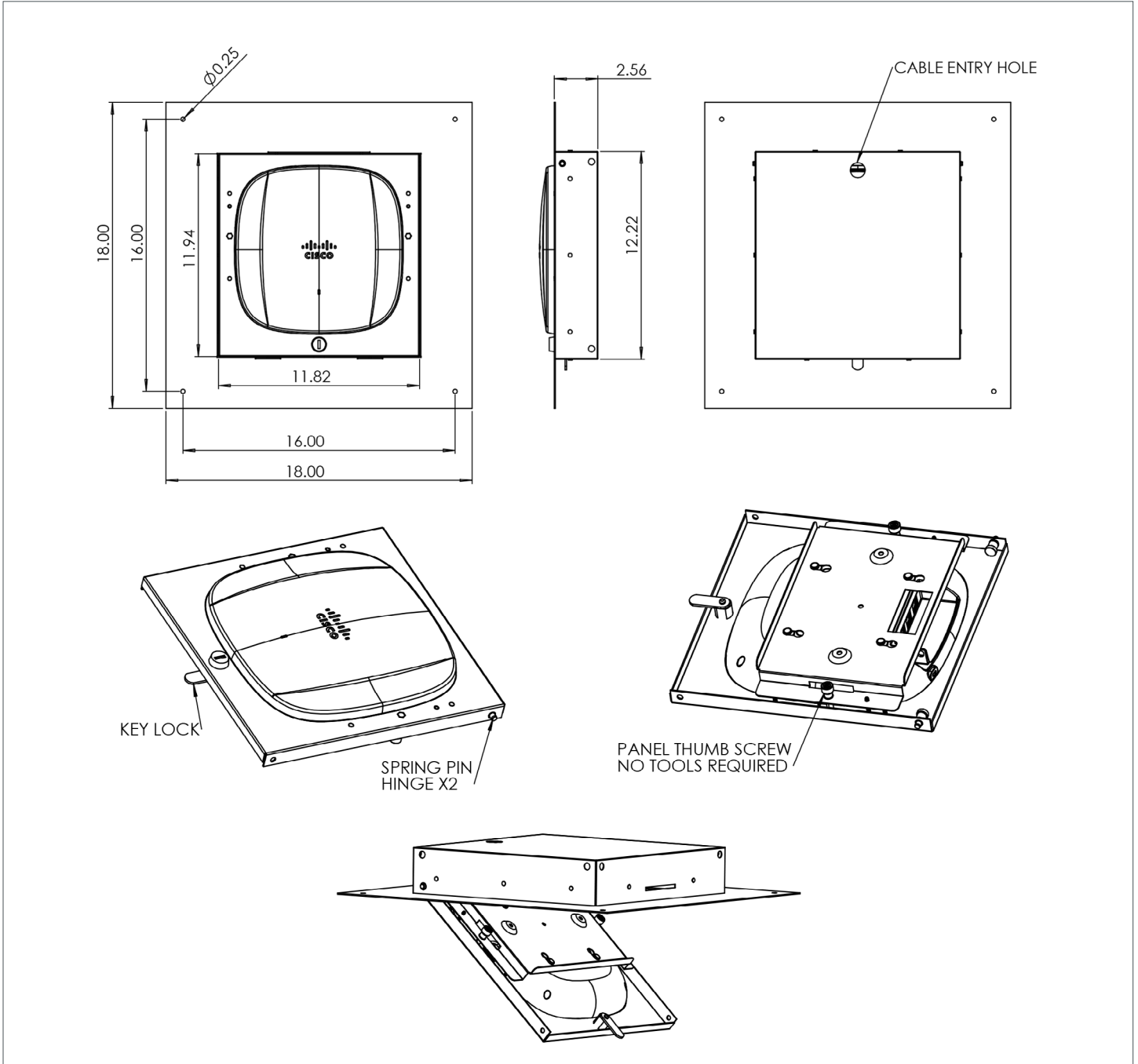
All product specifications are subject to change without notice or obligation.

Ceiling Tile Enclosure



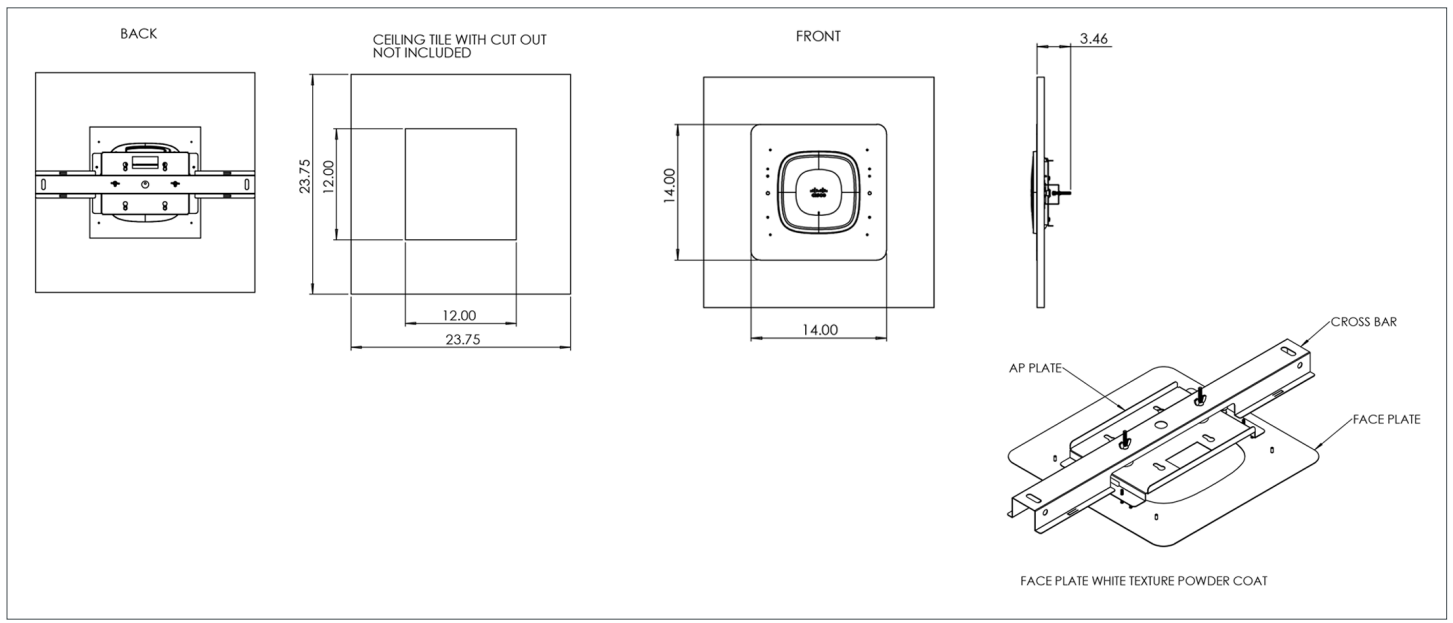
All product specifications are subject to change without notice or obligation.

Hard-Lid Ceiling Tile Enclosure

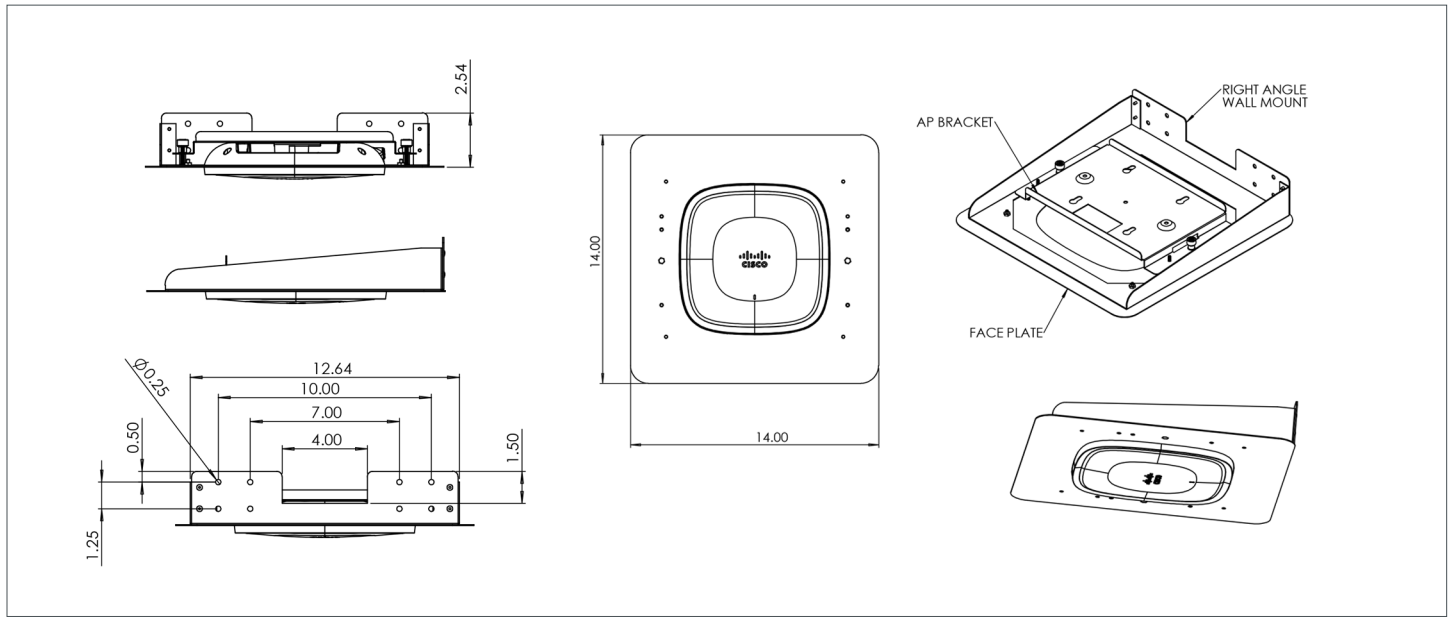


All product specifications are subject to change without notice or obligation.

Ceiling Tile Bracket



Right Angle Bracket



All product specifications are subject to change without notice or obligation.