

# Interchangeable Ceiling Tile Enclosures

for Cisco 9136

ventev®

Connect, Protect, and Enable™

## Ceiling Tile Enclosure

Includes Hanger Wire, Firestop Grommet with Chase Nipple, Cable Entry Locknut, and 2 ft. T-bar Strip

SKU	611143
Manufacturer Part Number	V3-ID-CTEN-9136
Dimensions	23.75 x 23.75 x 4 in.
Weight	4.5 lbs.
Material	Aluminum
Mounting Options	Ceiling Tile



## Hard-Lid Ceiling Tile Enclosure

SKU	611148
Manufacturer Part Number	V2-ID-HCEN-9136
Dimensions	18 x 18 x 2.5 in.
Weight	3.5 lbs.
Material	Aluminum
Mounting Options	Hard-Lid or Wall



## Replacement Door

SKU	611133
Manufacturer Part Number	V3-IDOOR-9136
Dimensions	12 x 12 x 2 in.
Weight	1.5 lbs.
Material	Aluminum



**NOTE:** Models and components continue on next page.



All product specifications are subject to change without notice or obligation.

# Interchangeable Ceiling Tile Enclosures

for Cisco 9136

ventev®

Connect, Protect, and Enable™

## Ceiling Tile Bracket

SKU	611117
Manufacturer Part Number	CT-BKT2-9136
Dimensions	23.75 x 11.5 x 2.96 in.
Weight	1 lbs.
Material	Aluminum
Mounting Options	Ceiling Tile



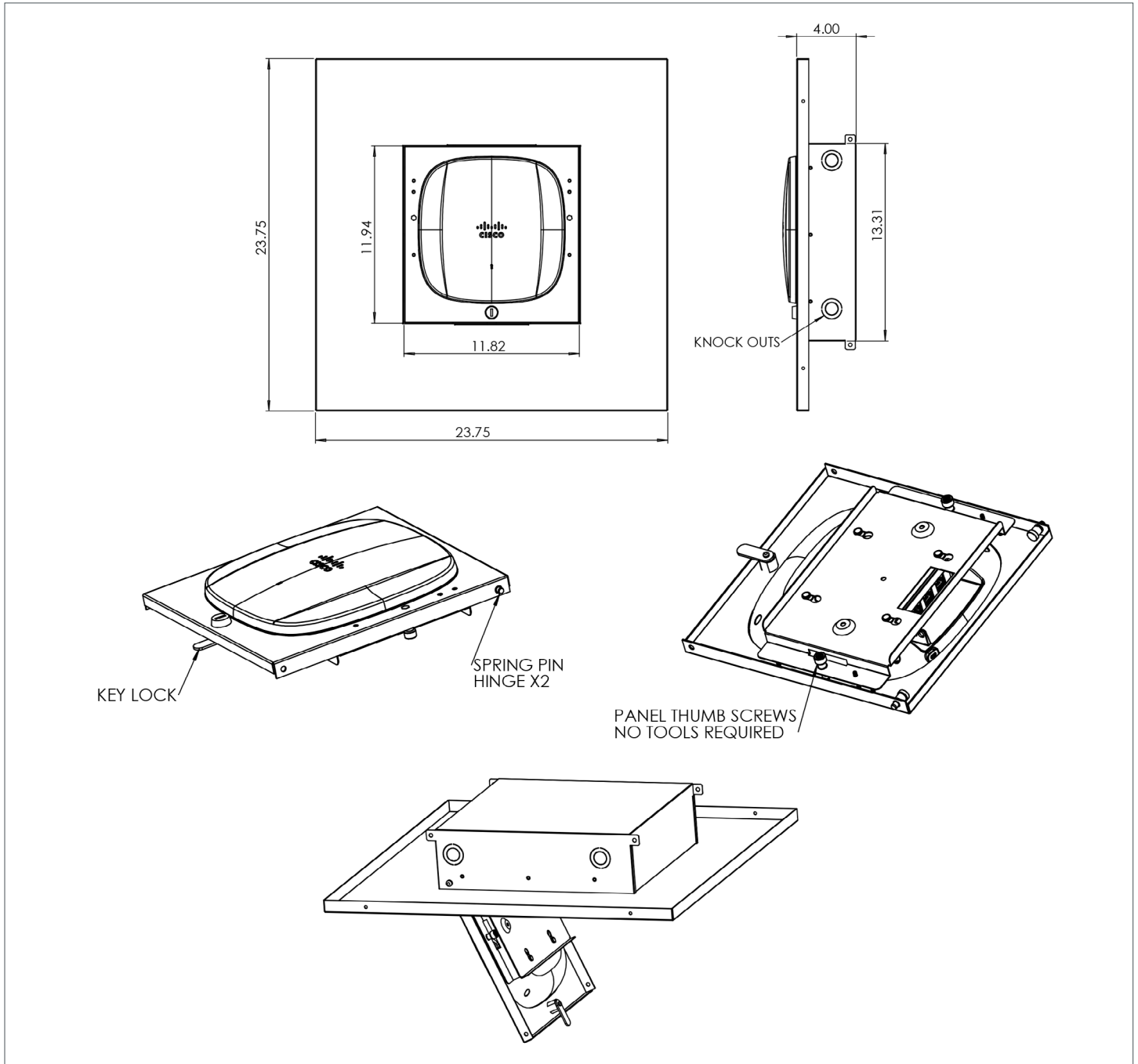
## Right Angle Bracket

SKU	611122
Manufacturer Part Number	HWM-9136
Dimensions	13 x 12 x 4 in.
Weight	1.5 lbs.
Material	Aluminum
Mounting Options	Wall



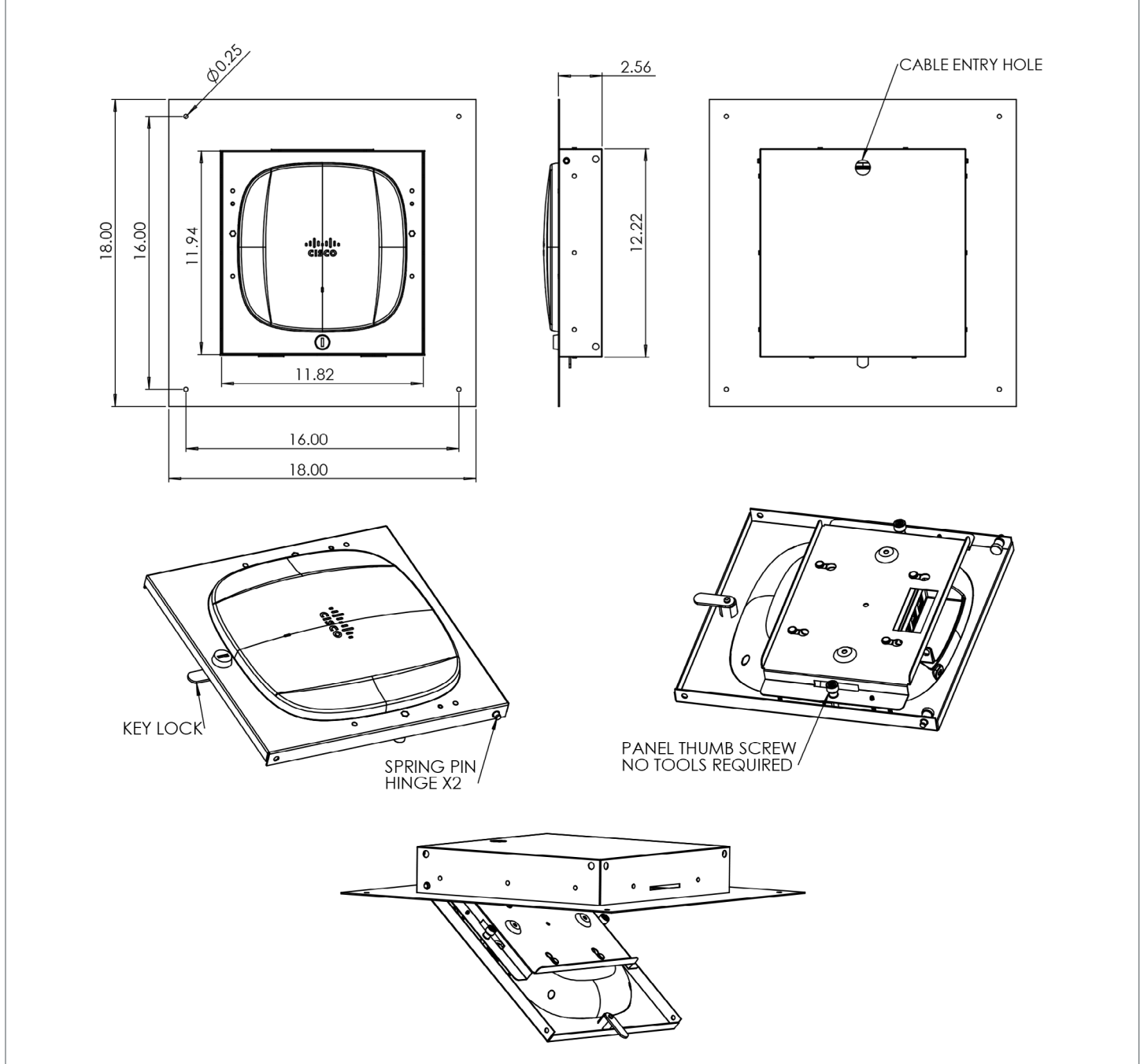
All product specifications are subject to change without notice or obligation.

## Ceiling Tile Enclosure



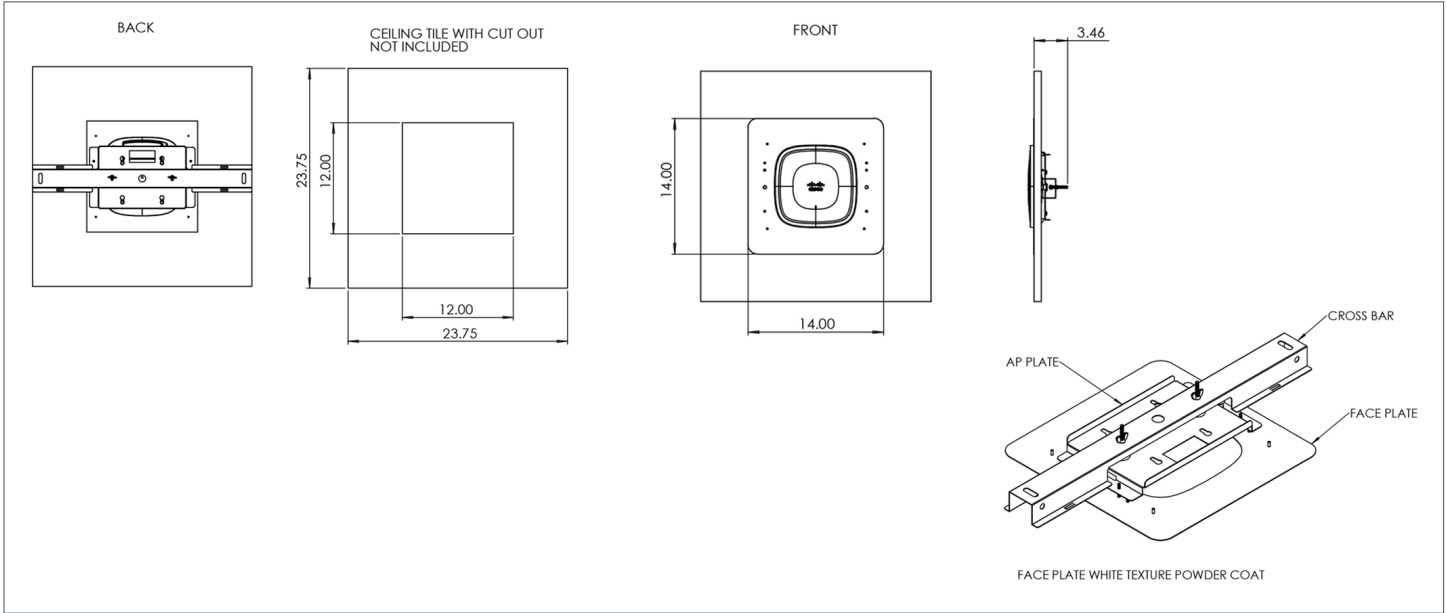
All product specifications are subject to change without notice or obligation.

## Hard-Lid Ceiling Tile Enclosure

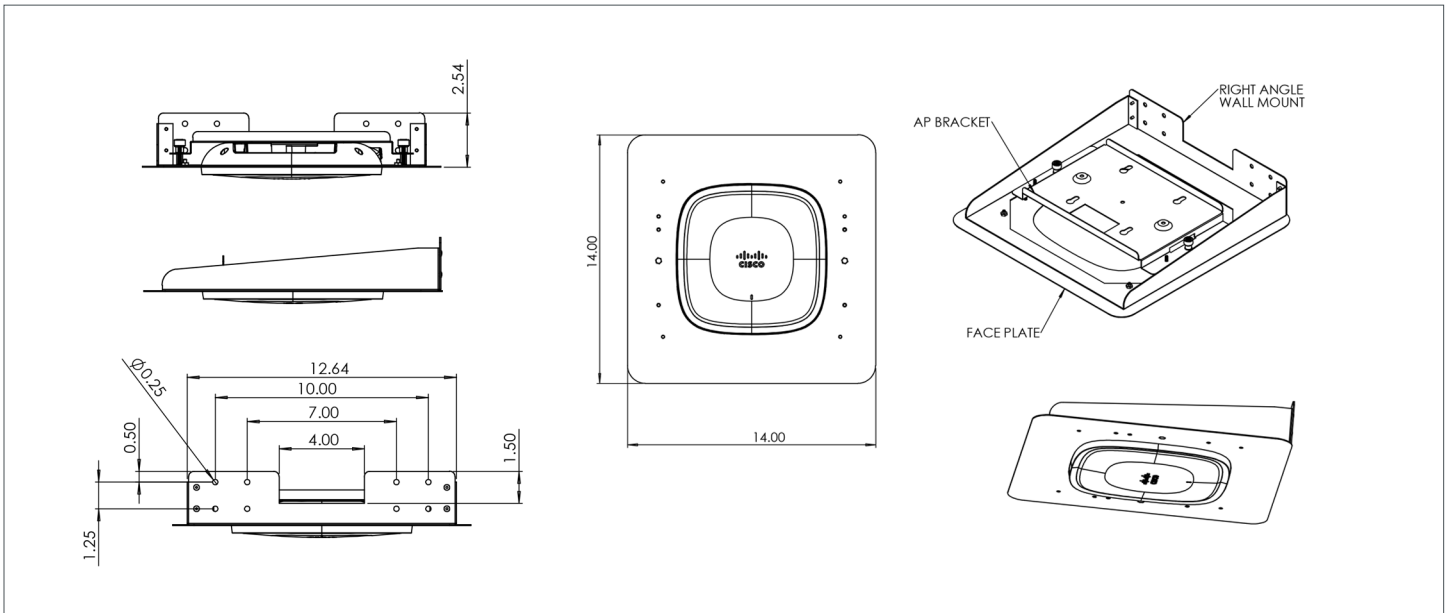


All product specifications are subject to change without notice or obligation.

## Ceiling Tile Bracket



## Right Angle Bracket



All product specifications are subject to change without notice or obligation.