

Interchangeable Ceiling Tile Enclosures

for Cisco 9162

ventev®

Connect, Protect, and Enable™

Ceiling Tile Enclosure

SKU	611144
Manufacturer Part Number	V3-ID-CTEN-9162
Dimensions	23.75 x 23.75 x 4 in.
Weight	4.5 lbs.
Material	Aluminum
Mounting Options	Ceiling Tile



Hard-Lid Ceiling Tile Enclosure

SKU	611149
Manufacturer Part Number	V2-ID-HCEN-9162
Dimensions	18 x 18 x 2.5 in.
Weight	3.5 lbs.
Material	Aluminum
Mounting Options	Hard-Lid or Wall



Replacement Door

SKU	611134
Manufacturer Part Number	V3-IDOOR-9162
Dimensions	12 x 12 x 2 in.
Weight	1.5 lbs.
Material	Aluminum



NOTE: Models and components continue on next page.



All product specifications are subject to change without notice or obligation.

Interchangeable Ceiling Tile Enclosures

for Cisco 9162

ventev®

Connect, Protect, and Enable™

Ceiling Tile Bracket

SKU	611118
Manufacturer Part Number	CT-BKT2-9162
Dimensions	23.75 x 11.5 x 2.96 in.
Weight	1 lbs.
Material	Aluminum
Mounting Options	Ceiling Tile



Right Angle Bracket

SKU	611123
Manufacturer Part Number	HWM-9162
Dimensions	13 x 12 x 4 in.
Weight	1.5 lbs.
Material	Aluminum
Mounting Options	Wall



All product specifications are subject to change without notice or obligation.

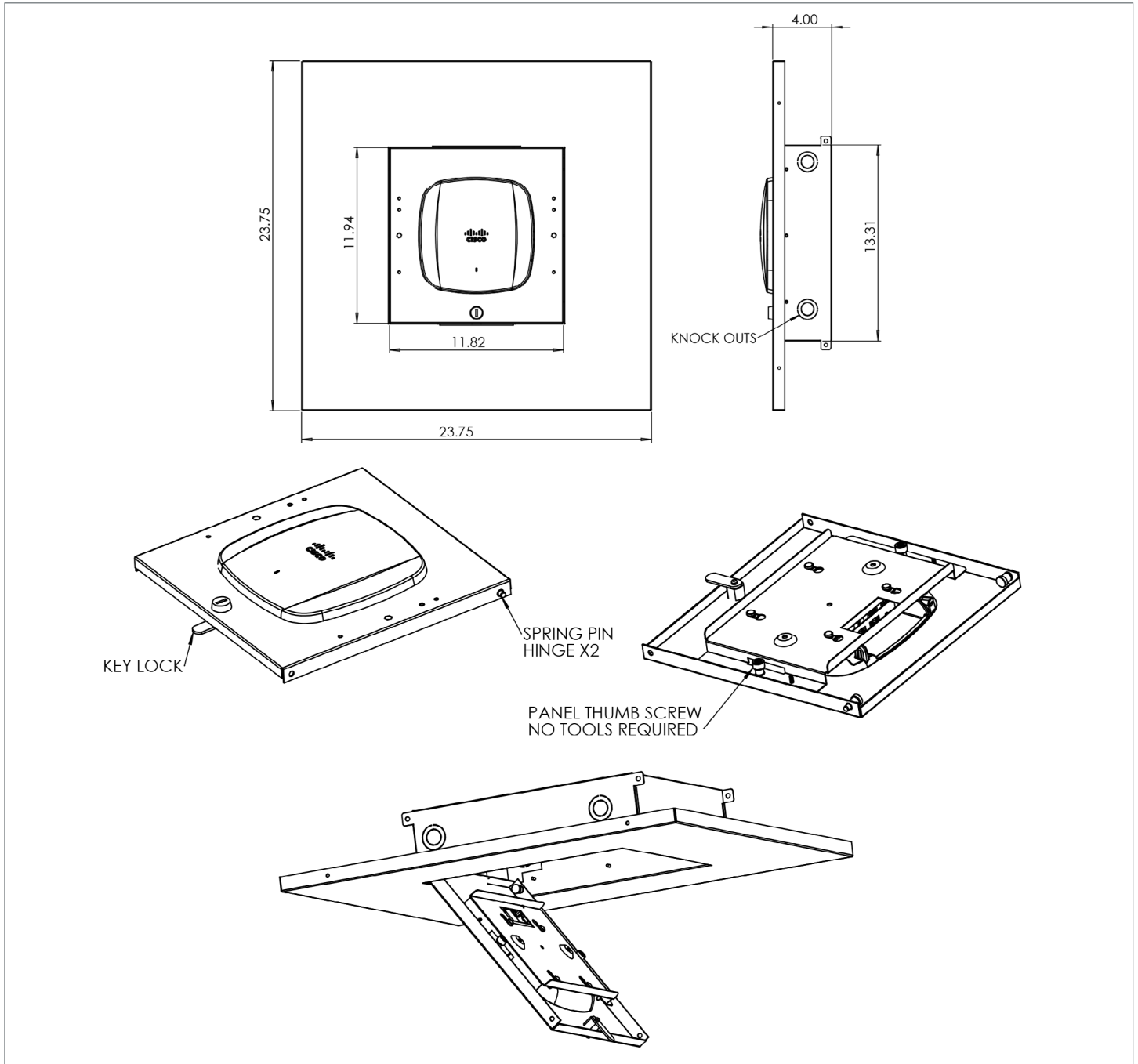
Interchangeable Ceiling Tile Enclosures

for Cisco 9162

ventev®

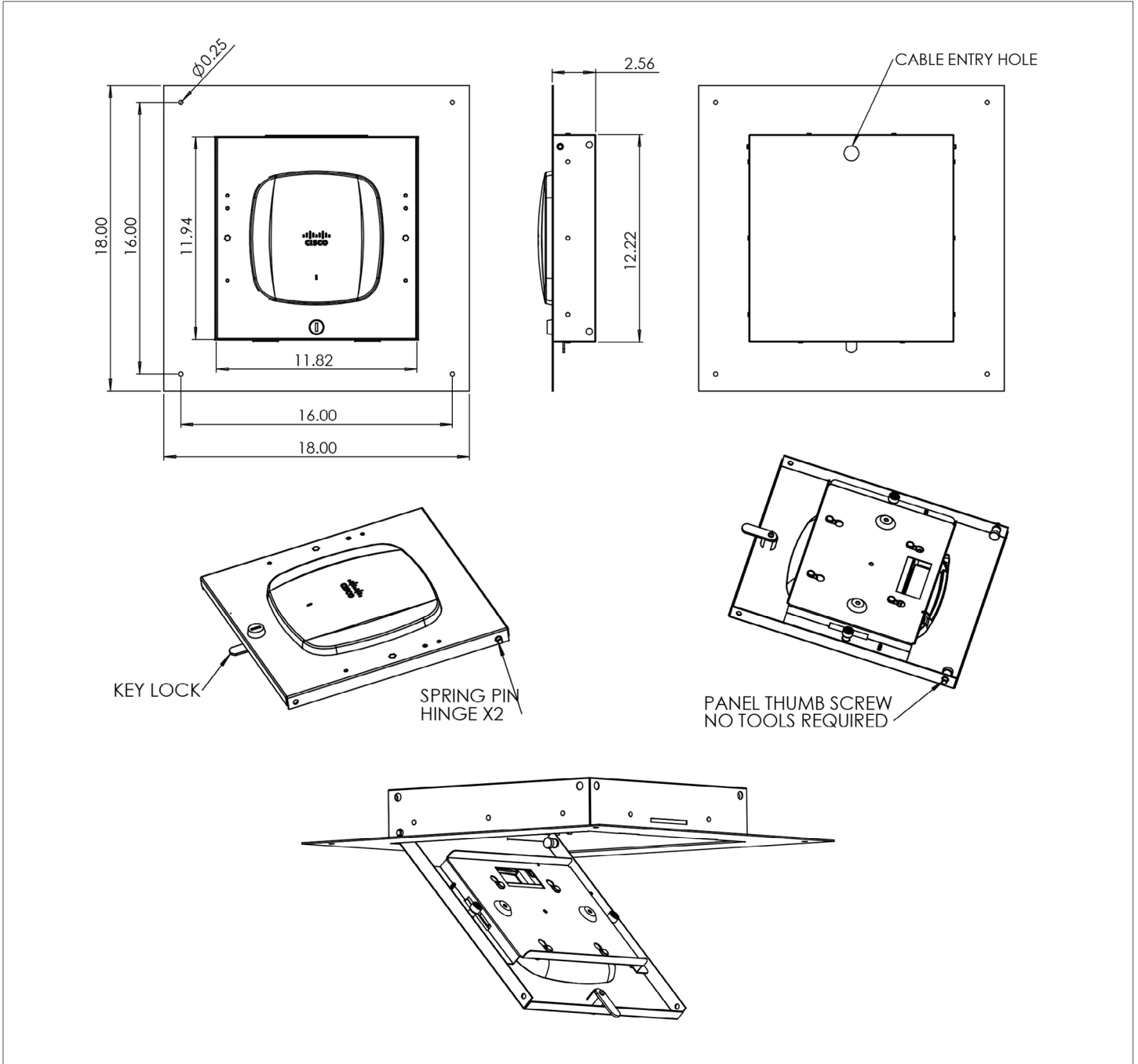
Connect, Protect, and Enable™

Ceiling Tile Enclosure



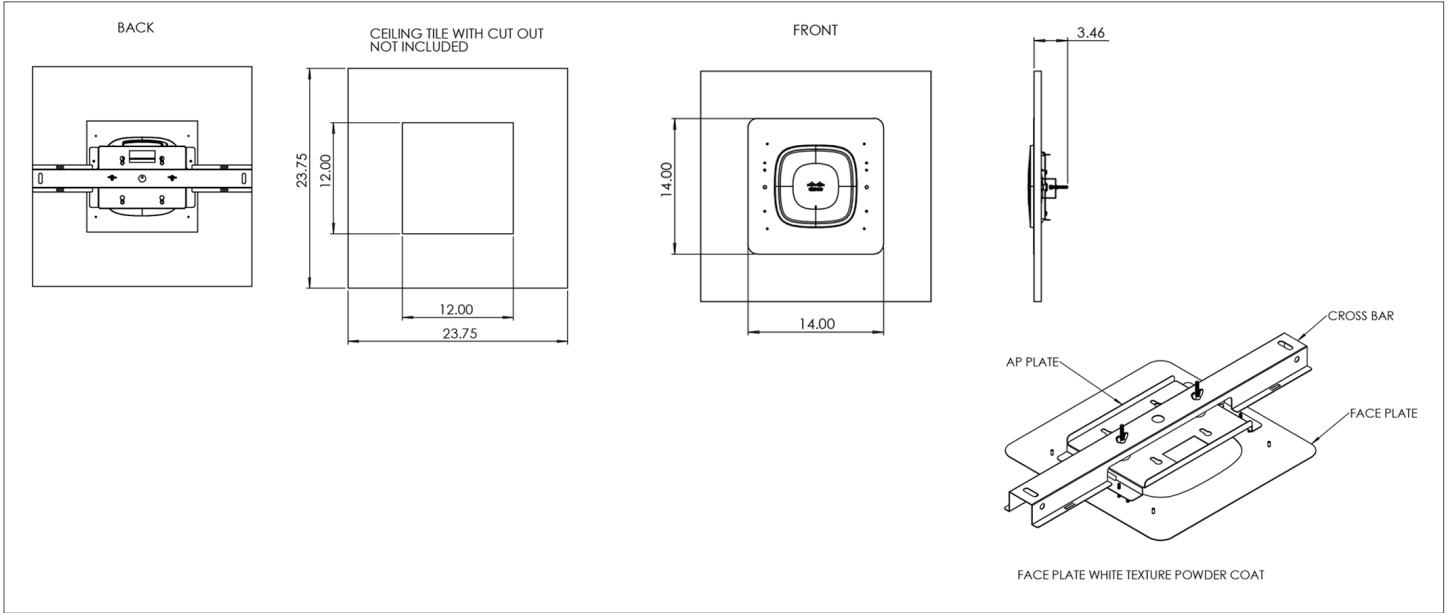
All product specifications are subject to change without notice or obligation.

Hard-Lid Ceiling Tile Enclosure

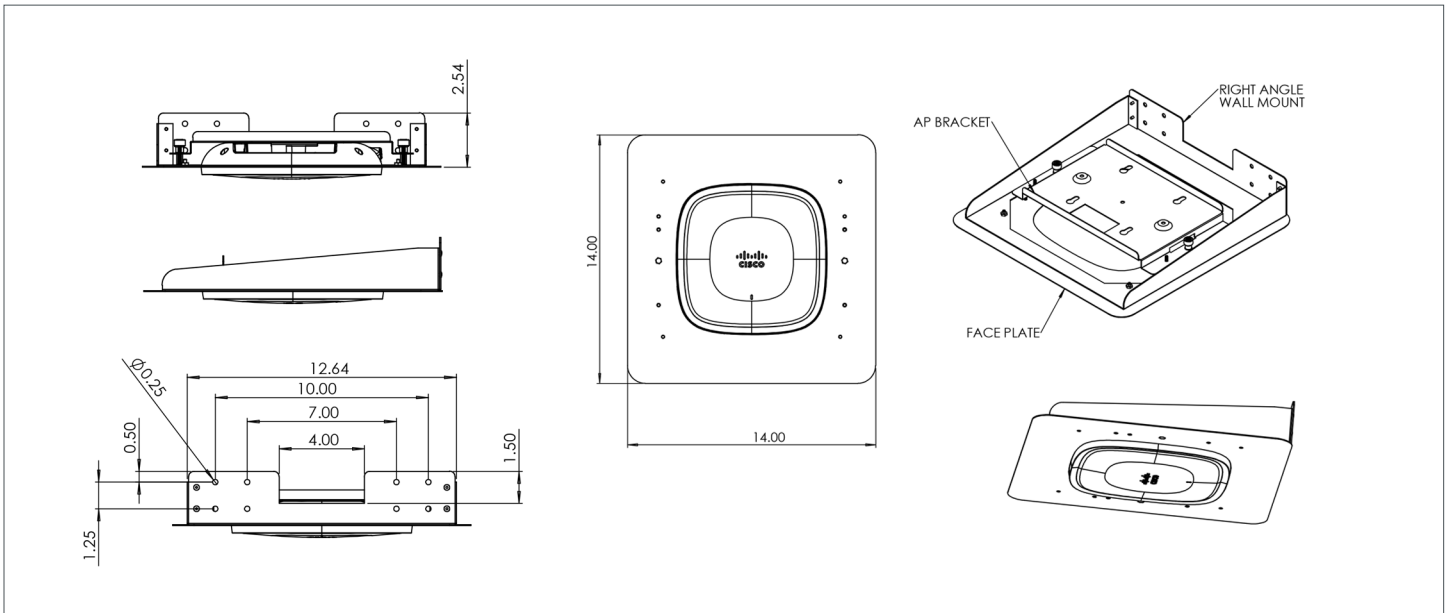


All product specifications are subject to change without notice or obligation.

Ceiling Tile Bracket



Right Angle Bracket



All product specifications are subject to change without notice or obligation.