

# Interchangeable Ceiling Tile Enclosures

for Aruba 635

ventev®

Connect, Protect, and Enable™

## Ceiling Tile Enclosure

SKU	611167
Manufacturer Part Number	V3-ID-CTEN-635
Dimensions	23.75 x 23.75 x 4 in.
Weight	4.5 lbs.
Material	Aluminum
Mounting Options	Ceiling Tile



## Hard-Lid Ceiling Tile Enclosure

SKU	611152
Manufacturer Part Number	V2-ID-HCEN-635
Dimensions	18 x 18 x 2.5 in.
Weight	3.5 lbs.
Material	Aluminum
Mounting Options	Hard-Lid or Wall



## Replacement Door

SKU	611157
Manufacturer Part Number	V3-IDOOR-635
Dimensions	12 x 12 x 2 in.
Weight	1.5 lbs.
Material	Aluminum



**NOTE:** Models and components continue on next page.



All product specifications are subject to change without notice or obligation.

# Interchangeable Ceiling Tile Enclosures

for Aruba 635

ventev®

Connect, Protect, and Enable™

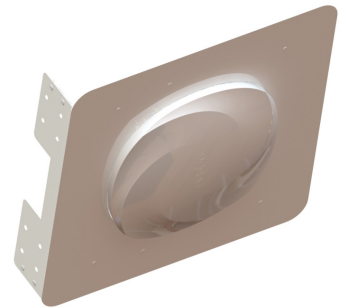
## Ceiling Tile Bracket

SKU	611174
Manufacturer Part Number	CT-BKT2-635
Dimensions	23.75 x 11.5 x 2.96 in.
Weight	1 lbs.
Material	Aluminum
Mounting Options	Ceiling Tile



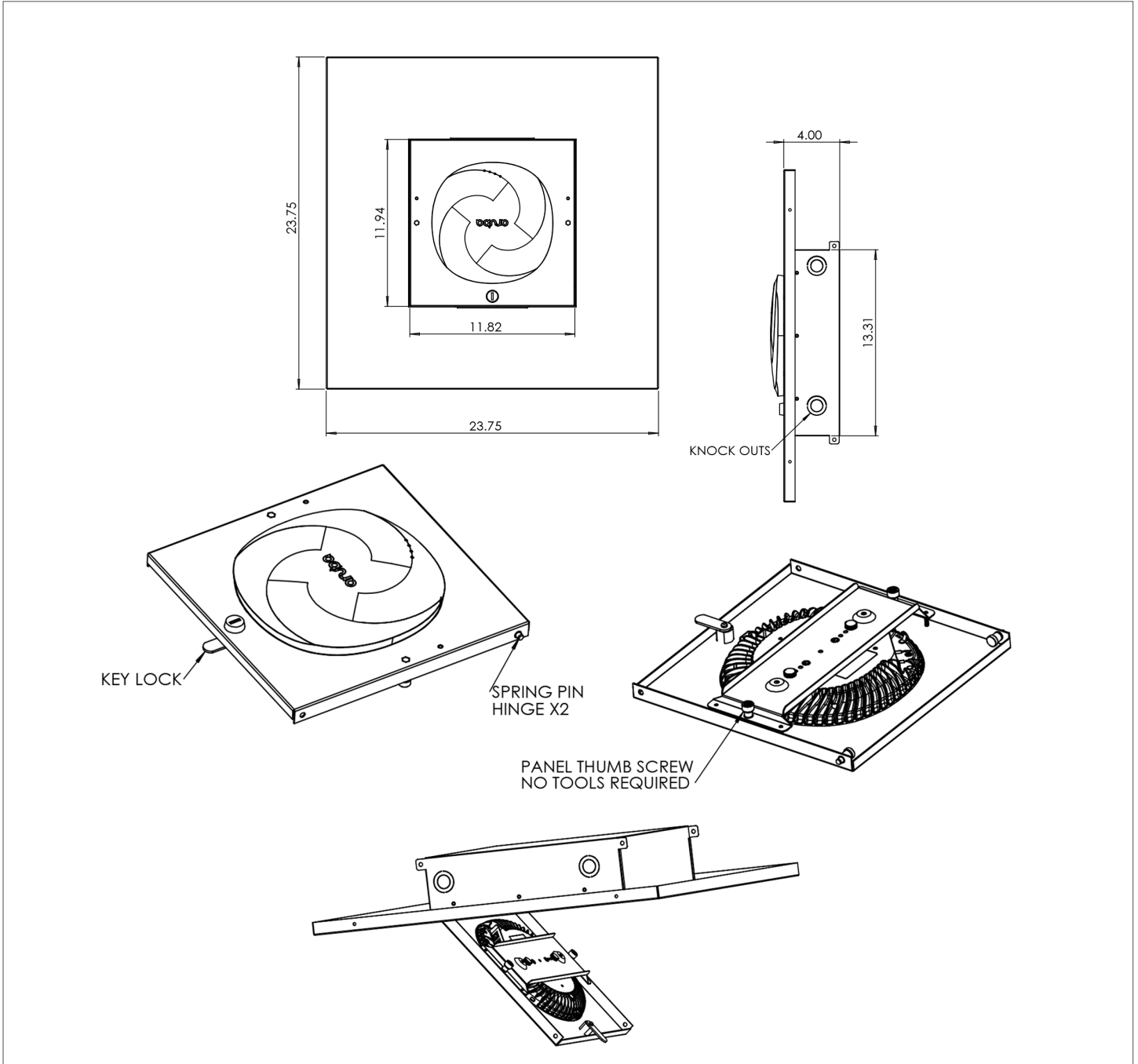
## Right Angle Bracket

SKU	611162
Manufacturer Part Number	HWM-635
Dimensions	13 x 12 x 4 in.
Weight	1.5 lbs.
Material	Aluminum
Mounting Options	Wall



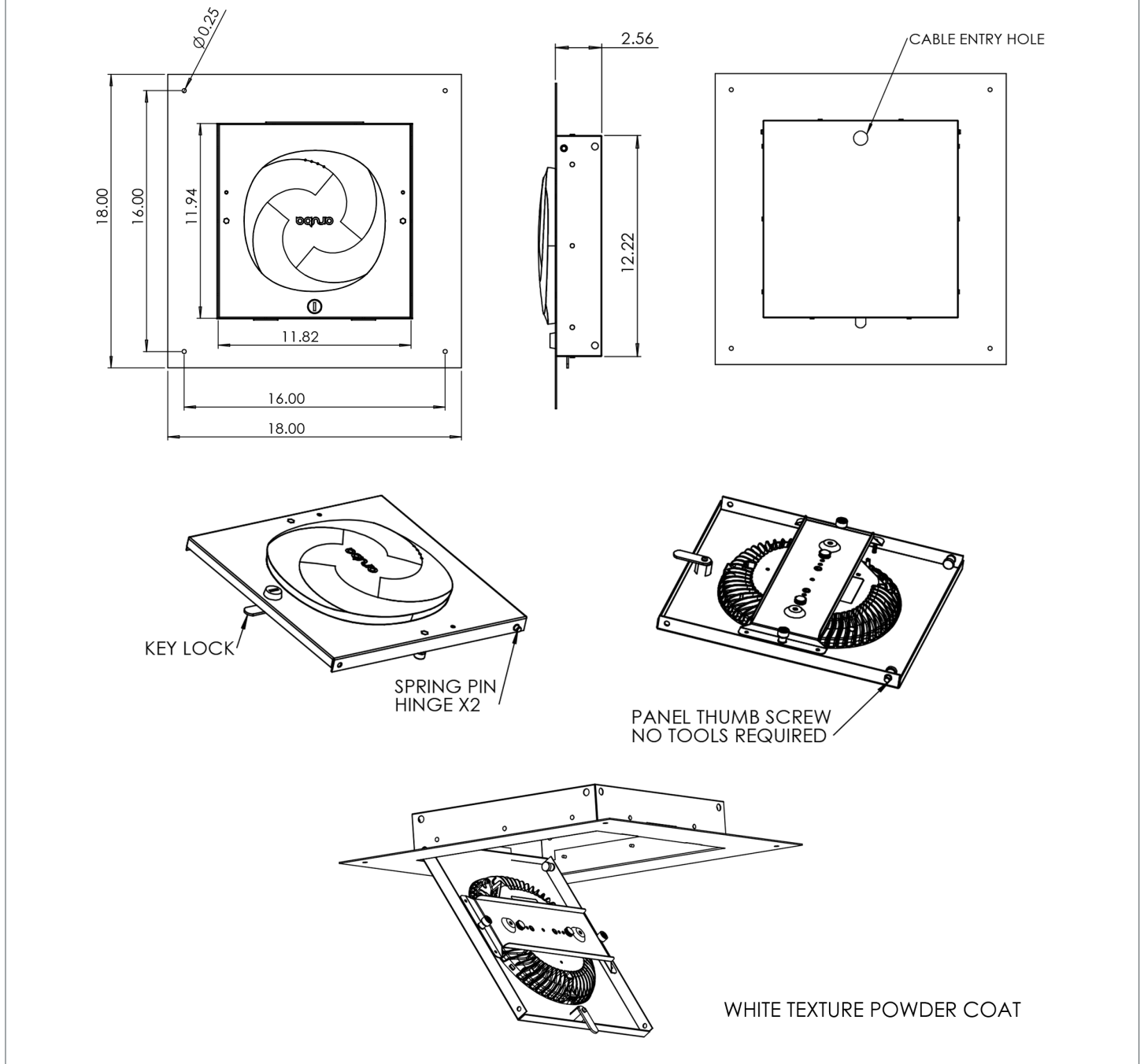
All product specifications are subject to change without notice or obligation.

## Ceiling Tile Enclosure



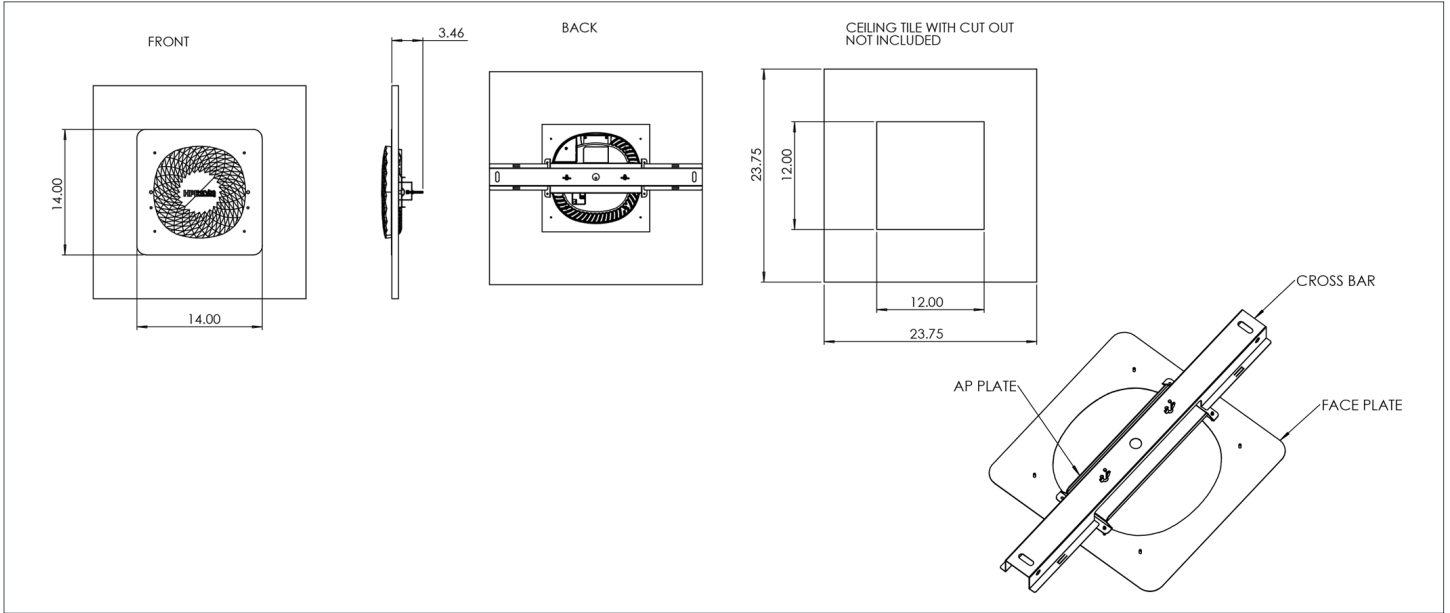
All product specifications are subject to change without notice or obligation.

**Hard-Lid Ceiling Tile Enclosure**

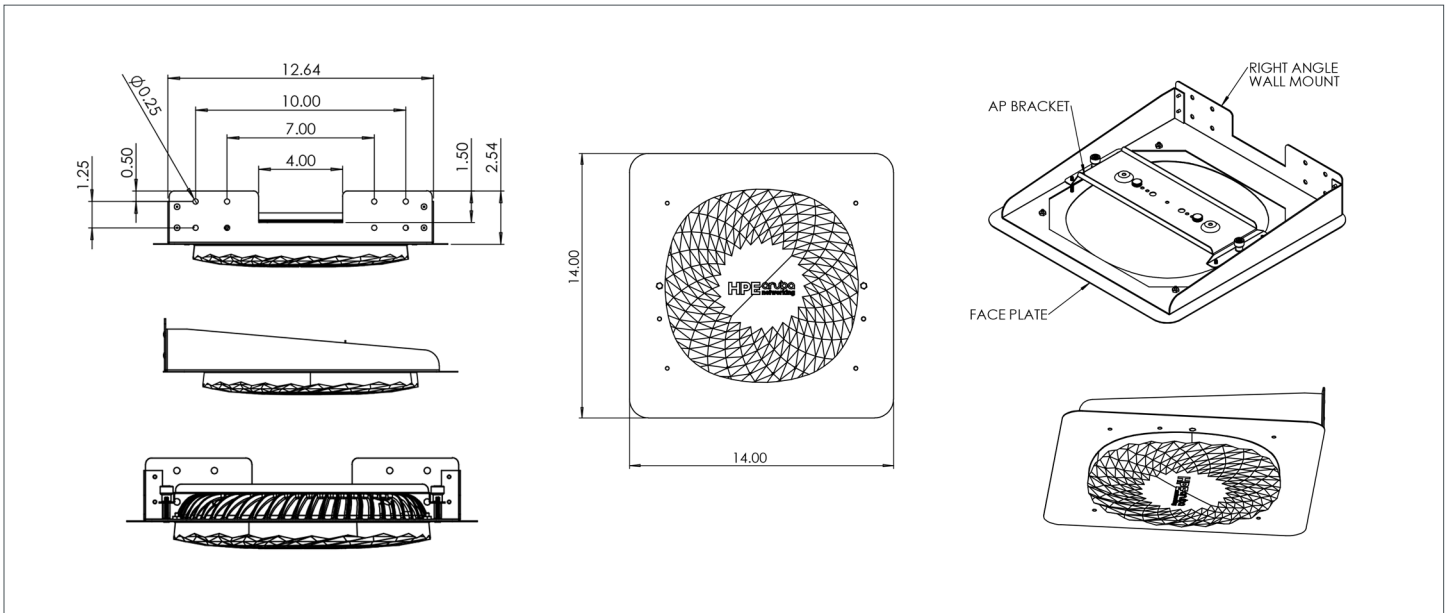


All product specifications are subject to change without notice or obligation.

## Ceiling Tile Bracket



## Right Angle Bracket



All product specifications are subject to change without notice or obligation.