

Interchangeable Ceiling Tile Enclosures

for Aruba 655

ventev®

Connect, Protect, and Enable™

Ceiling Tile Enclosure

SKU	611168
Manufacturer Part Number	V3-ID-CTEN-655
Dimensions	23.75 x 23.75 x 4 in.
Weight	4.5 lbs.
Material	Aluminum
Mounting Options	Ceiling Tile



Hard-Lid Ceiling Tile Enclosure

SKU	611153
Manufacturer Part Number	V2-ID-HCEN-655
Dimensions	18 x 18 x 2.5 in.
Weight	3.5 lbs.
Material	Aluminum
Mounting Options	Hard-Lid or Wall



Replacement Door

SKU	611158
Manufacturer Part Number	V3-IDOOR-655
Dimensions	12 x 12 x 2 in.
Weight	1.5 lbs.
Material	Aluminum



NOTE: Models and components continue on next page.



All product specifications are subject to change without notice or obligation.

Interchangeable Ceiling Tile Enclosures

for Aruba 655

ventev®

Connect, Protect, and Enable™

Ceiling Tile Bracket

SKU	611175
Manufacturer Part Number	CT-BKT2-655
Dimensions	23.75 x 11.5 x 2.96 in.
Weight	1 lbs.
Material	Aluminum
Mounting Options	Ceiling Tile



Right Angle Bracket

SKU	611163
Manufacturer Part Number	HWM-655
Dimensions	13 x 12 x 4 in.
Weight	1.5 lbs.
Material	Aluminum
Mounting Options	Wall

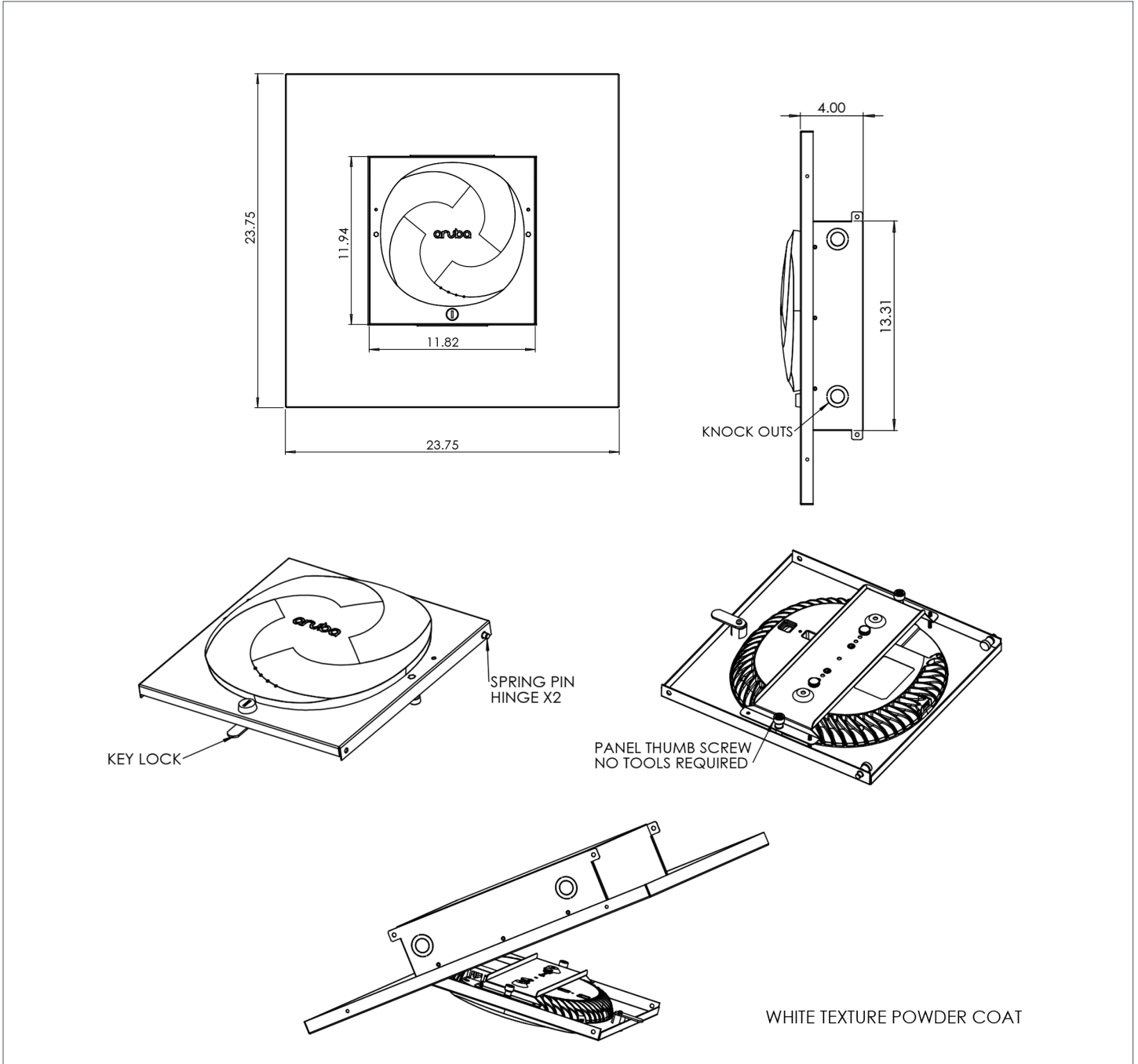


All product specifications are subject to change without notice or obligation.

Interchangeable Ceiling Tile Enclosures

for Aruba 655

Ceiling Tile Enclosure

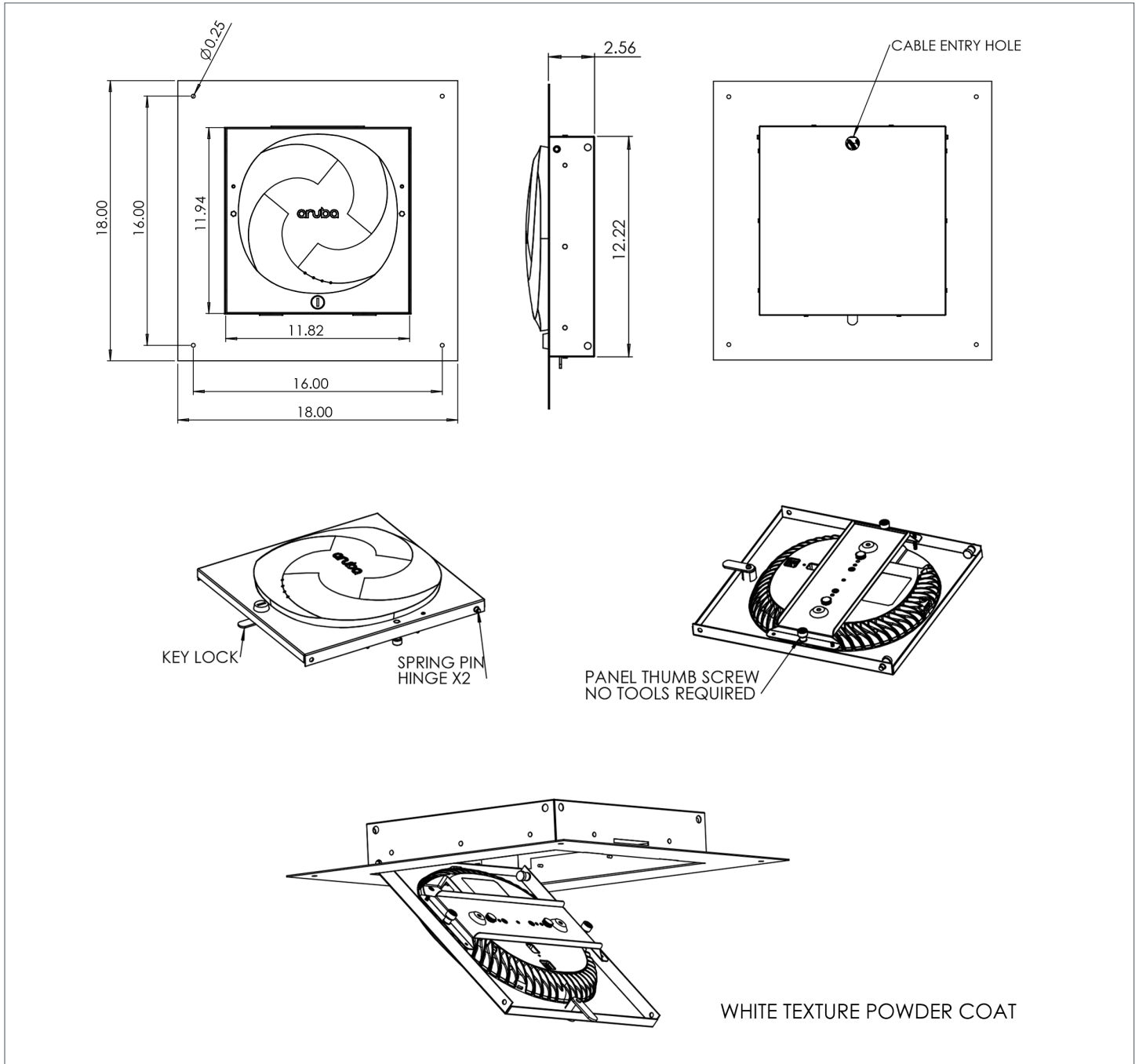


All product specifications are subject to change without notice or obligation.

Interchangeable Ceiling Tile Enclosures

for Aruba 655

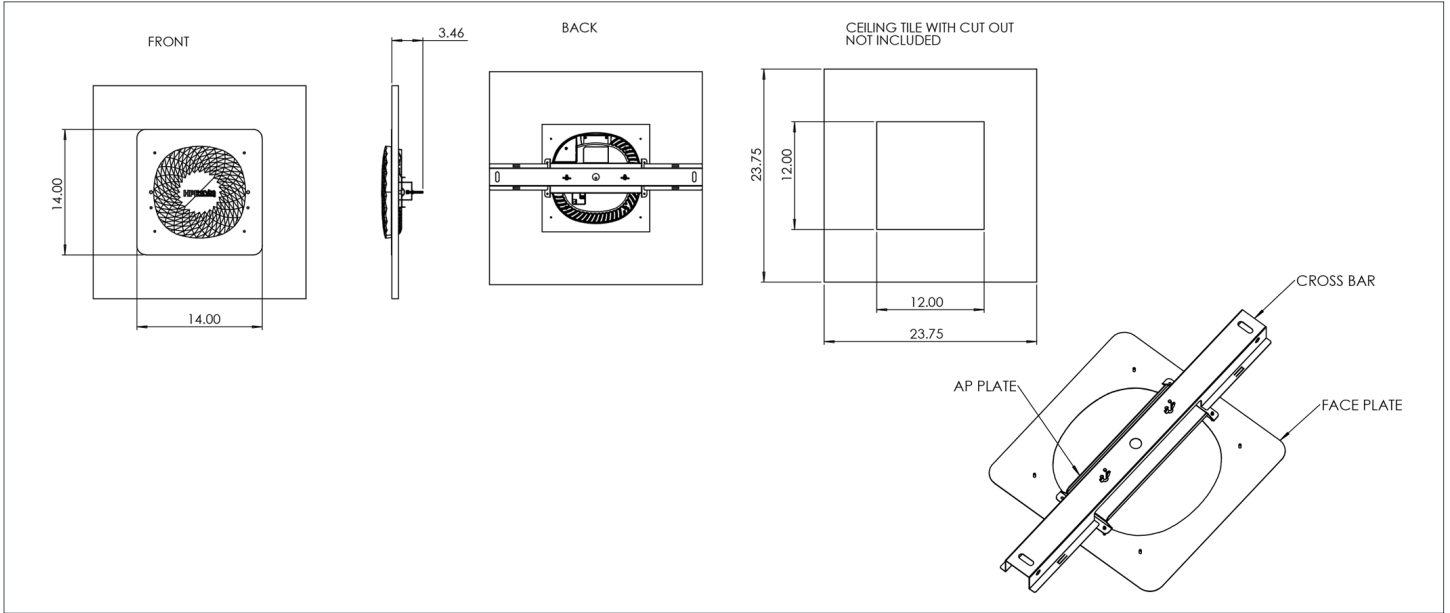
Hard-Lid Ceiling Tile Enclosure



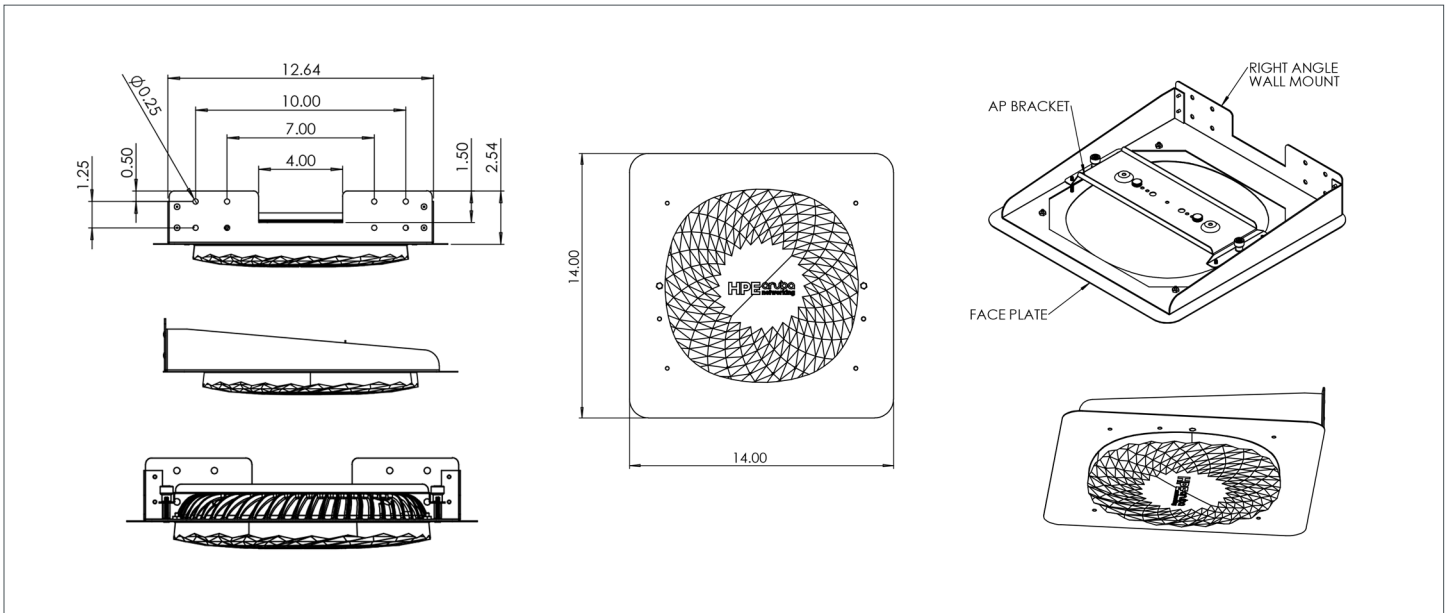
All product specifications are subject to change without notice or obligation.

Interchangeable Ceiling Tile Enclosures for Aruba 655

Ceiling Tile Bracket



Right Angle Bracket



All product specifications are subject to change without notice or obligation.