

Interchangeable Ceiling Tile Enclosures

for Aruba 735

ventev®

Connect, Protect, and Enable™

Ceiling Tile Enclosure

SKU	611169
Manufacturer Part Number	V3-ID-CTEN-735
Dimensions	23.75 x 23.75 x 4 in.
Weight	4.5 lbs.
Material	Aluminum
Mounting Options	Ceiling Tile



Hard-Lid Ceiling Tile Enclosure

SKU	611154
Manufacturer Part Number	V2-ID-HCEN-735
Dimensions	18 x 18 x 2.5 in.
Weight	3.5 lbs.
Material	Aluminum
Mounting Options	Hard-Lid or Wall



Replacement Door

SKU	611159
Manufacturer Part Number	V3-IDOOR-735
Dimensions	12 x 12 x 2 in.
Weight	1.5 lbs.
Material	Aluminum



NOTE: Models and components continue on next page.



All product specifications are subject to change without notice or obligation.

Interchangeable Ceiling Tile Enclosures

for Aruba 735

ventev®

Connect, Protect, and Enable™

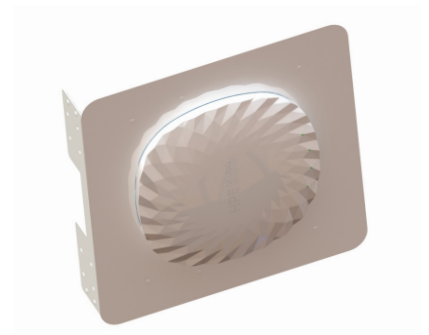
Ceiling Tile Bracket

SKU	611176
Manufacturer Part Number	CT-BKT2-735
Dimensions	23.75 x 11.5 x 2.96 in.
Weight	1 lbs.
Material	Aluminum
Mounting Options	Ceiling Tile



Right Angle Bracket

SKU	611164
Manufacturer Part Number	HWM-735
Dimensions	13 x 12 x 4 in.
Weight	1.5 lbs.
Material	Aluminum
Mounting Options	Wall

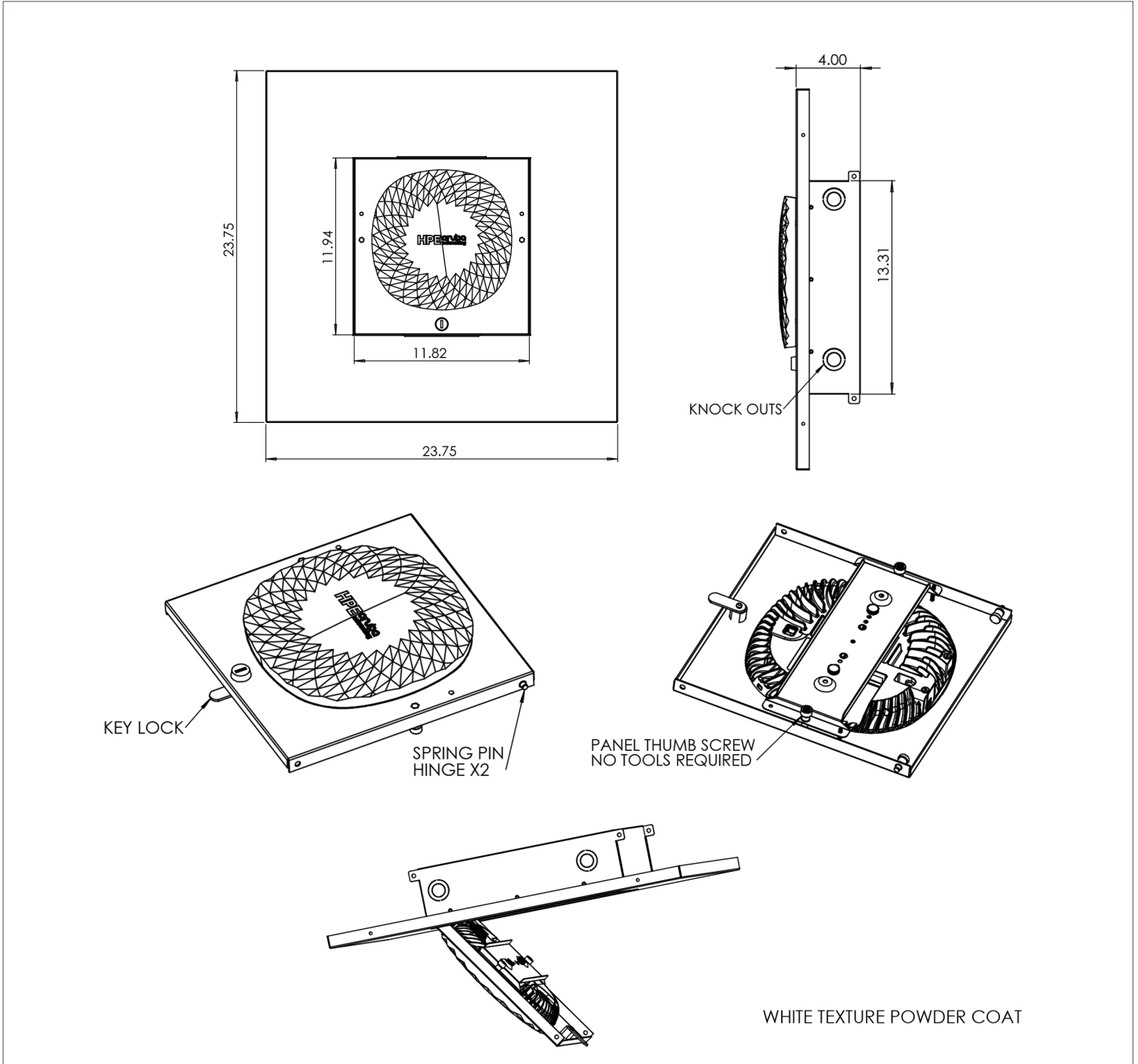


All product specifications are subject to change without notice or obligation.

Interchangeable Ceiling Tile Enclosures

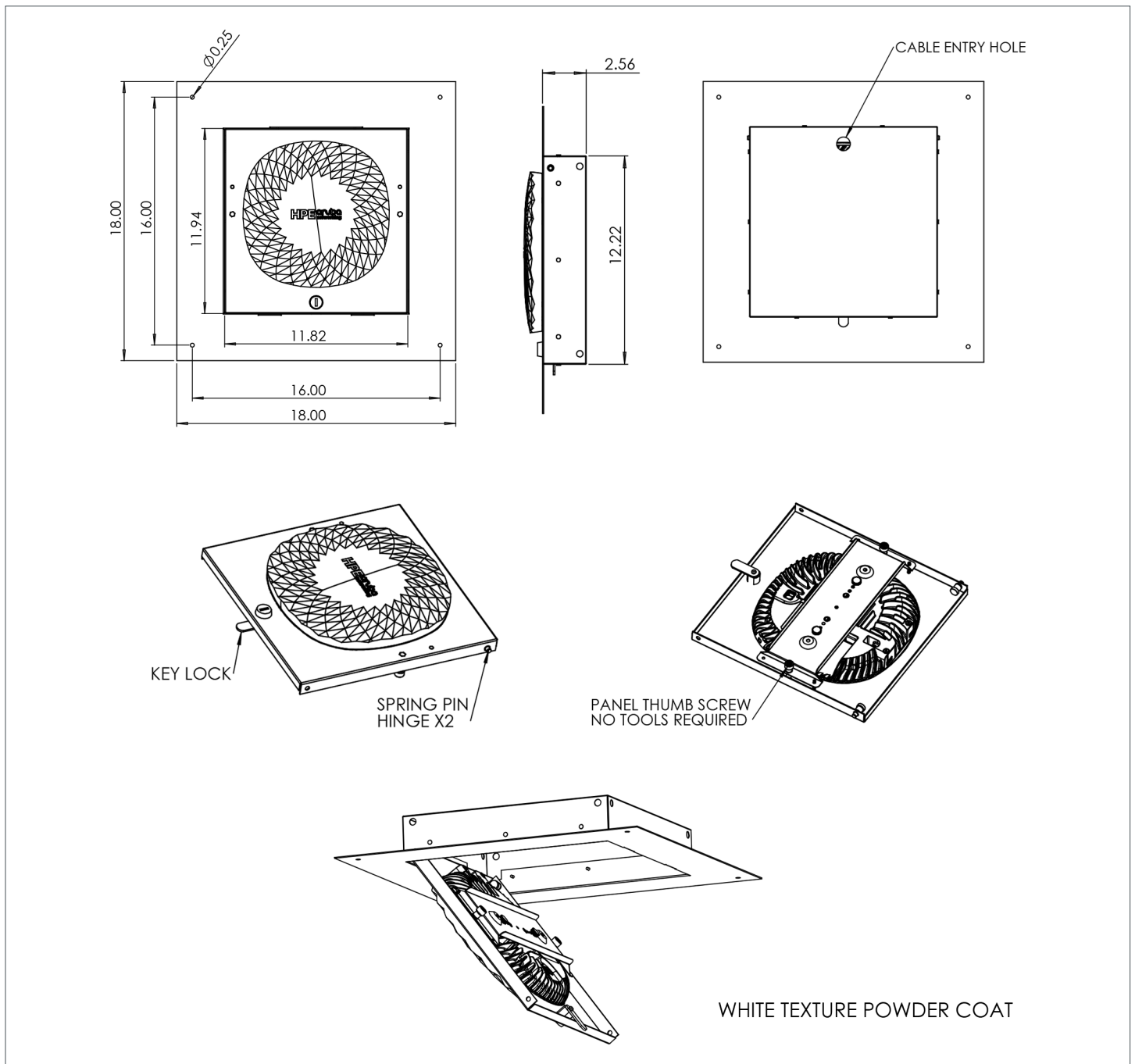
for Aruba 735

Ceiling Tile Enclosure



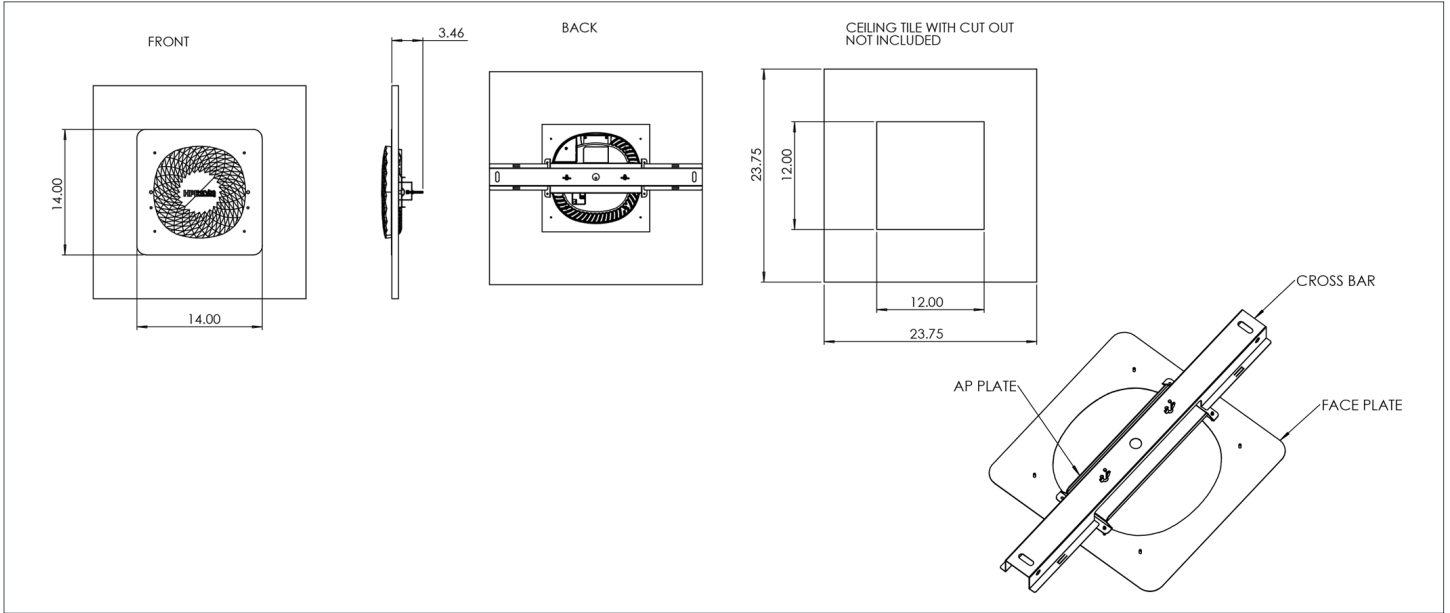
All product specifications are subject to change without notice or obligation.

Hard-Lid Ceiling Tile Enclosure

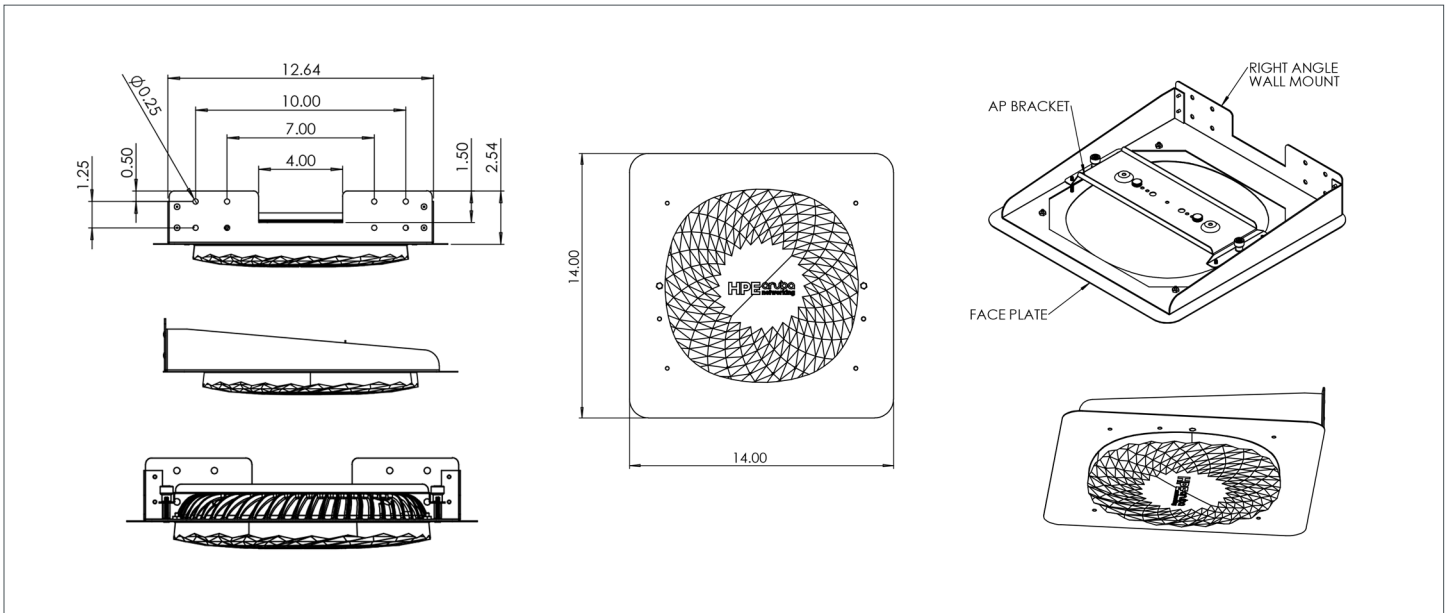


All product specifications are subject to change without notice or obligation.

Ceiling Tile Bracket



Right Angle Bracket



All product specifications are subject to change without notice or obligation.