

Interchangeable Ceiling Tile Enclosures

for Aruba 755

Ceiling Tile Enclosure

SKU	611170
Manufacturer Part Number	V3-ID-CTEN-755
Dimensions	23.75 x 23.75 x 4 in.
Weight	4.5 lbs.
Material	Aluminum
Mounting Options	Ceiling Tile



Hard-Lid Ceiling Tile Enclosure

SKU	611155
Manufacturer Part Number	V2-ID-HCEN-755
Dimensions	18 x 18 x 2.5 in.
Weight	3.5 lbs.
Material	Aluminum
Mounting Options	Hard-Lid or Wall



Replacement Door

SKU	611160
Manufacturer Part Number	V3-IDOOR-755
Dimensions	12 x 12 x 2 in.
Weight	1.5 lbs.
Material	Aluminum



NOTE: Models and components continue on next page.



All product specifications are subject to change without notice or obligation.

Interchangeable Ceiling Tile Enclosures

for Aruba 755

ventev®

Connect, Protect, and Enable™

Ceiling Tile Bracket

SKU	611177
Manufacturer Part Number	CT-BKT2-755
Dimensions	23.75 x 11.5 x 2.96 in.
Weight	1 lbs.
Material	Aluminum
Mounting Options	Ceiling Tile



Right Angle Bracket

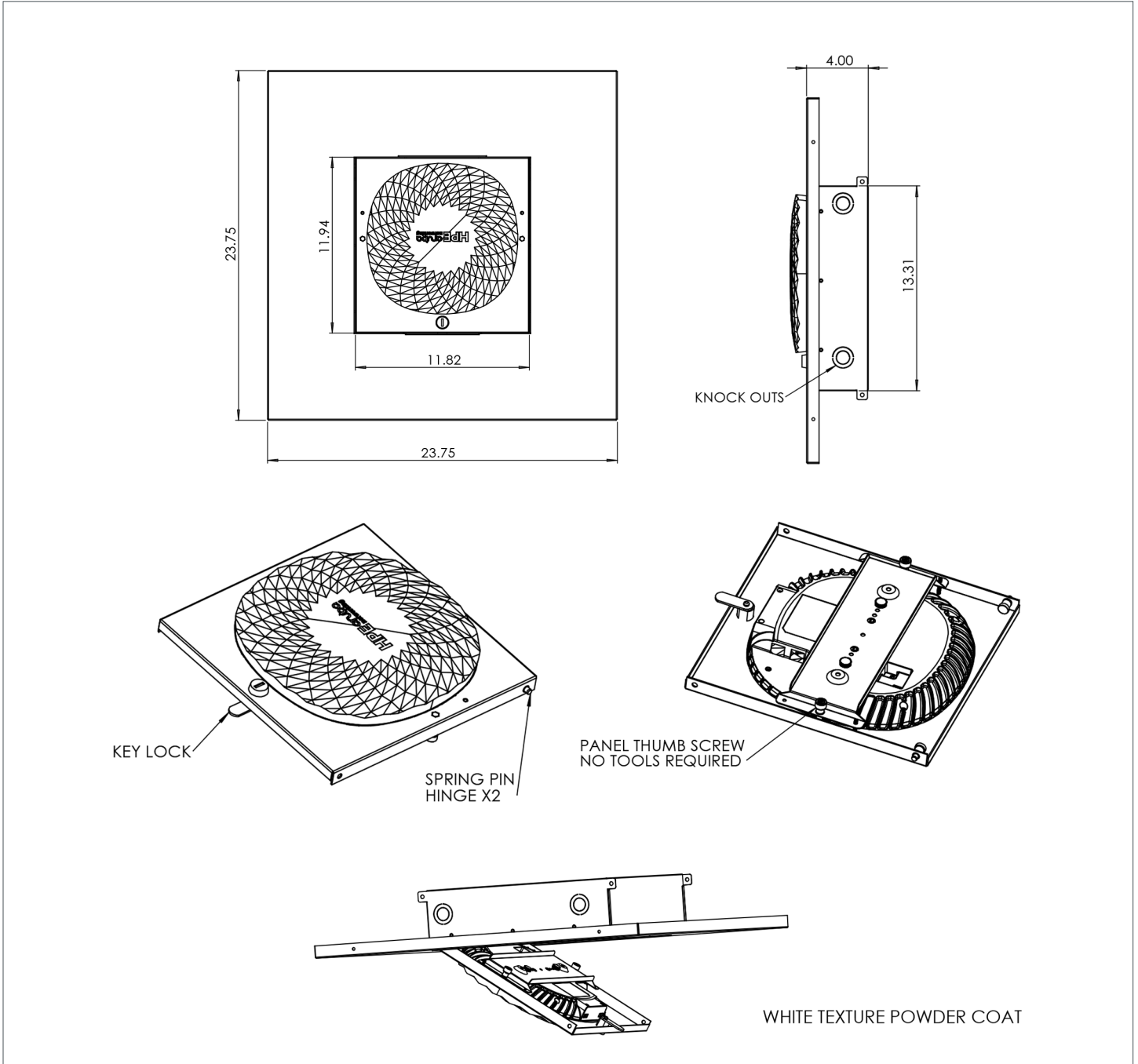
SKU	611165
Manufacturer Part Number	HWM-755
Dimensions	13 x 12 x 4 in.
Weight	1.5 lbs.
Material	Aluminum
Mounting Options	Wall



All product specifications are subject to change without notice or obligation.

Interchangeable Ceiling Tile Enclosures for Aruba 755

Ceiling Tile Enclosure

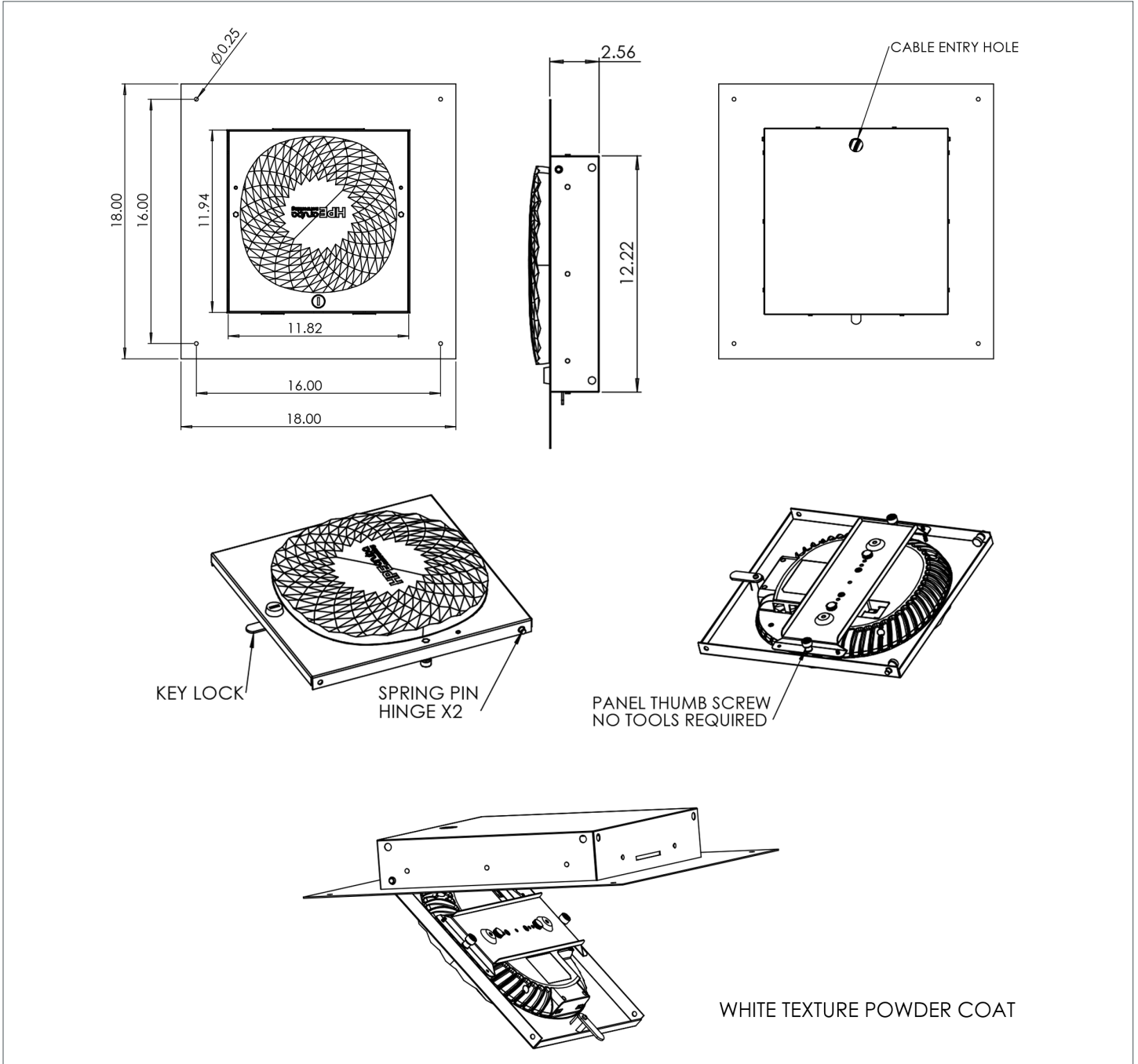


All product specifications are subject to change without notice or obligation.

Interchangeable Ceiling Tile Enclosures

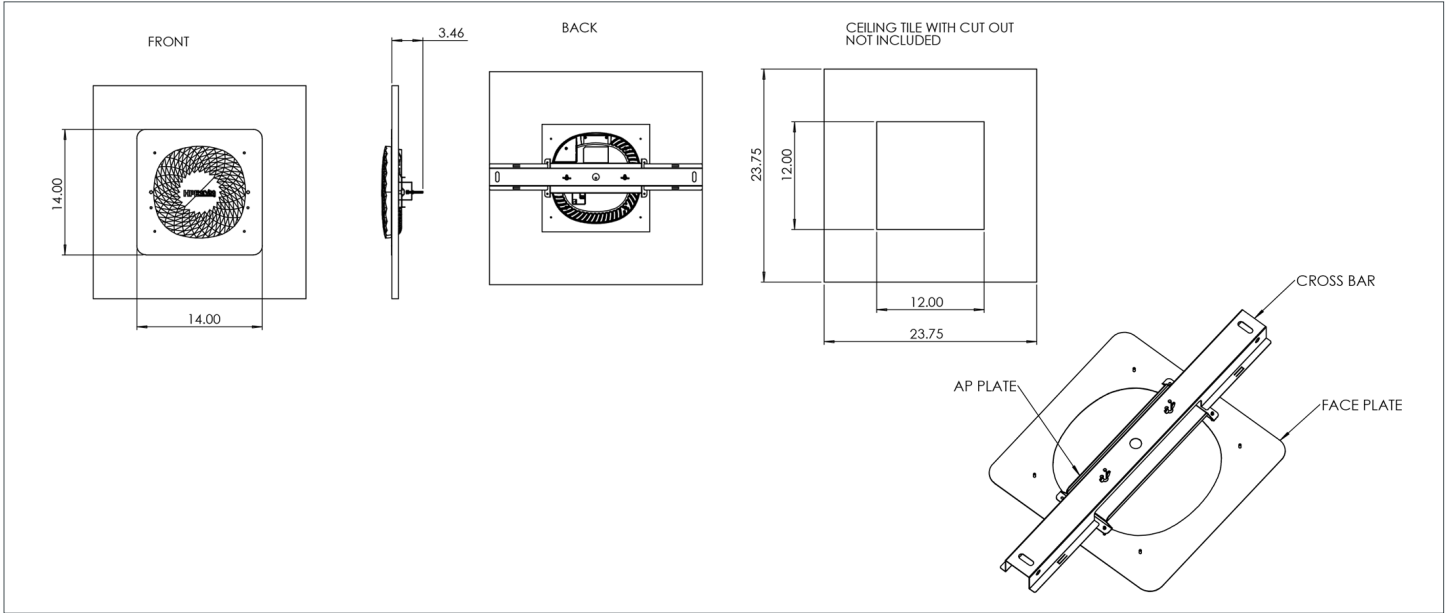
for Aruba 755

Hard-Lid Ceiling Tile Enclosure

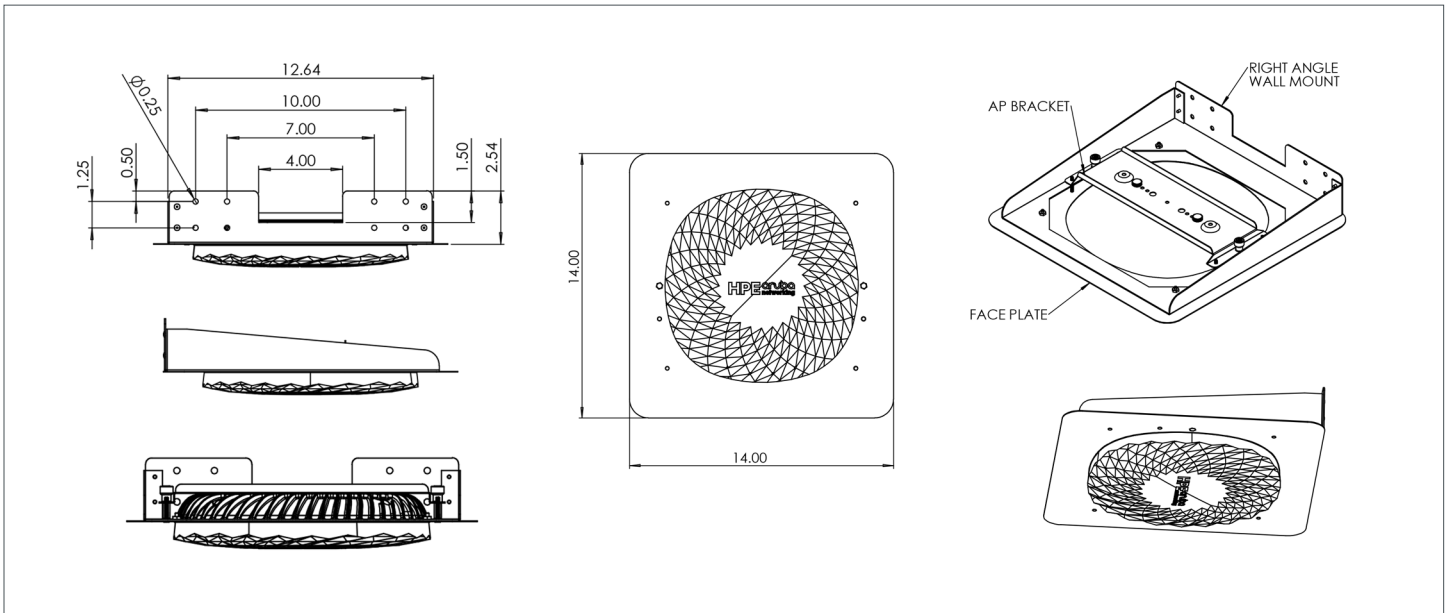


All product specifications are subject to change without notice or obligation.

Ceiling Tile Bracket



Right Angle Bracket



All product specifications are subject to change without notice or obligation.